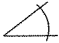







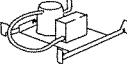

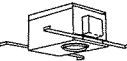


SPECIFICATION SHEET

3 1/2" LINE VOLTAGE

T3900 - DECOR SLOT APERTURE ADJUSTABLE

PROJECT No:

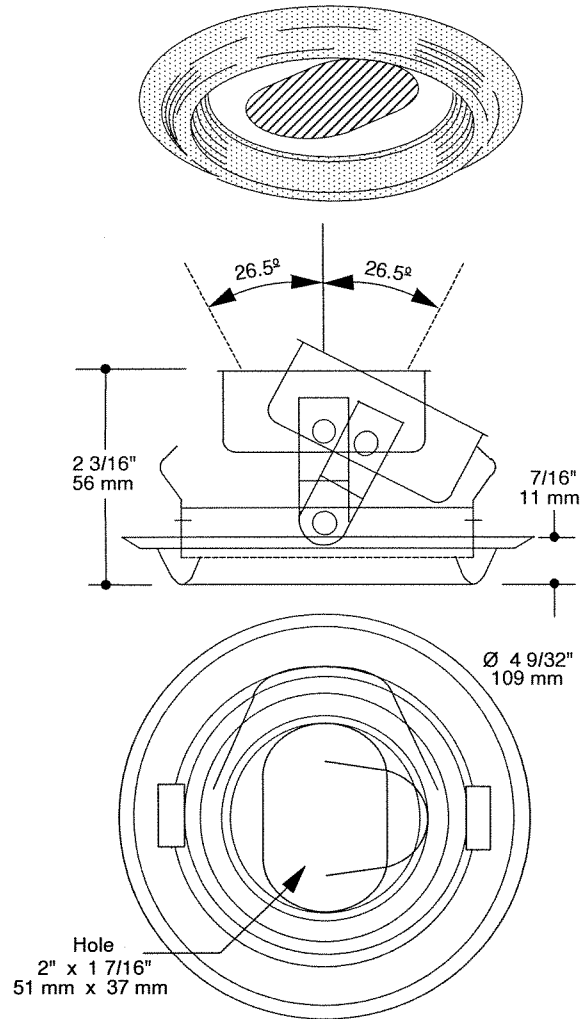
-  _____ 26.5°
-  _____
-  _____ yes
-  _____ GU/GZ-10 50W "NON-IC" only
-  _____
-  _____
-  _____
-  _____
-  _____ NW3000LT
-  _____ IT3000LT
-  _____

E Electronic **M** Magnetic **C** Short **L** Long

NOTES:
 UNLESS OTHERWISE INDICATED,
 ALL TRIMS SERIES ARE FOR INTERIOR USE ONLY.
THE BLACK POTS ARE OPTIONAL

TRIM FINISH

- | | |
|-----------------------------|-----------------------------|
| 01- WHITE | 07- ANTIQUE BRASS PLATED |
| 02- BLACK | 08- ANTIQUE SILVER PLATED |
| 03- 24K GOLD PLATED | 09- MAHOGANY |
| 04- CHROME PLATED | 11- MATTE WHITE |
| 04BR- BRUSHED CHROME PLATED | 12BR- BRUSHED NICKEL PLATED |
| 05- ARCHITECTURAL BRONZE | 13- SATIN NICKEL PLATED |
| 06- ANTIQUE COPPER | 14- ALMOND |



PROJECT

Your Project: _____

Representative: _____