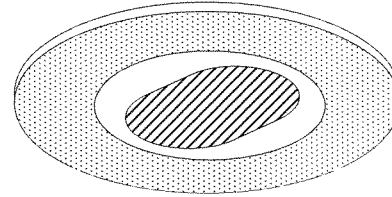


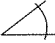










**SPECIFICATION SHEET**

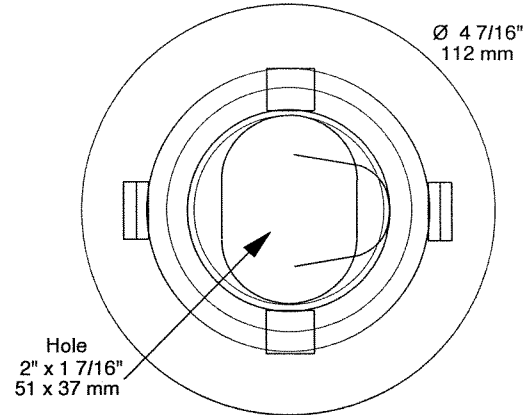
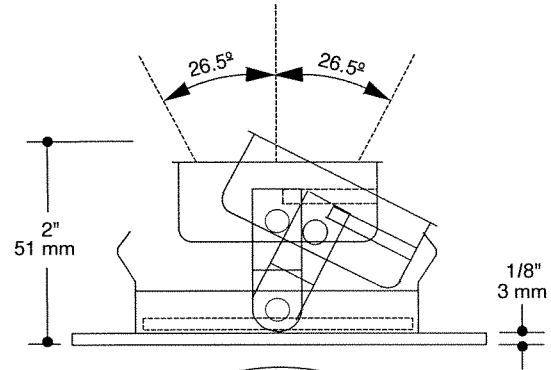
**PROJECT No:**  
 \_\_\_\_\_

3 1/2" LINE VOLTAGE

**T3850 - LOW PROFILE SLOT APERTURE  
 ADJUSTABLE**



-  26.5°
-  \_\_\_\_\_
-  yes
-  \_\_\_\_\_
-  GU/GZ-10 50W "NON-IC" only
-  \_\_\_\_\_
-  \_\_\_\_\_
-  \_\_\_\_\_
-  NW3000LT
-  IT3000LT
-  \_\_\_\_\_



**E** Electronic **M** Magnetic **C** Short **L** Long

NOTES:  
 UNLESS OTHERWISE INDICATED,  
 ALL TRIMS SERIES ARE FOR INTERIOR USE ONLY.  
 THE BLACK POTS ARE OPTIONAL

**TRIM FINISH**

- |                             |                             |
|-----------------------------|-----------------------------|
| 01- WHITE                   | 07- ANTIQUE BRASS PLATED    |
| 02- BLACK                   | 08- ANTIQUE SILVER PLATED   |
| 03- 24K GOLD PLATED         | 09- MAHOGANY                |
| 04- CHROME PLATED           | 11- MATTE WHITE             |
| 04BR- BRUSHED CHROME PLATED | 12BR- BRUSHED NICKEL PLATED |
| 05- ARCHITECTURAL BRONZE    | 13- SATIN NICKEL PLATED     |
| 06- ANTIQUE COPPER          | 14- ALMOND                  |



**PROJECT**

Your Project: \_\_\_\_\_  
 \_\_\_\_\_  
 \_\_\_\_\_

Representative: \_\_\_\_\_