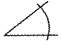




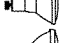

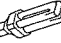






SPECIFICATION SHEET

PROJECT No:

3 1/2" LINE VOLTAGE

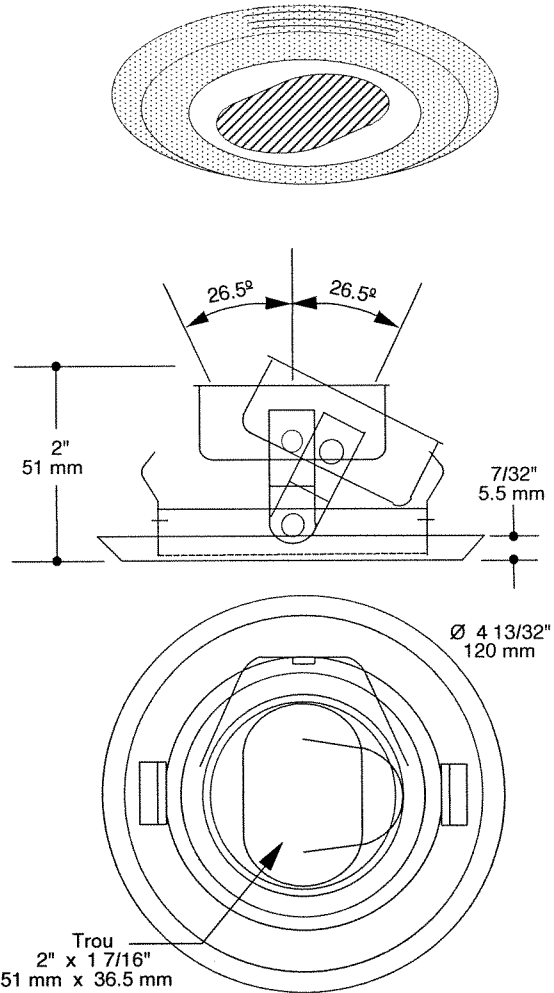
T3800 - BEVELED SLOT APERTURE ADJUSTABLE

-  _____ 26.5° _____
-  _____
-  _____ yes _____
-  _____
-  _____ GU/GZ-10 50W "NON-IC" only _____
-  _____
-  _____
-  _____
-  _____ NW3000LT _____
-  _____ IT3000LT _____
-  _____
-  _____

E Electronic **M** Magnetic **C** Short **L** Long

NOTES:
 UNLESS OTHERWISE INDICATED,
 ALL TRIMS SERIES ARE FOR INTERIOR USE ONLY.

THE BLACK POTS ARE OPTIONAL



TRIM FINISH

- 01- WHITE
- 02- BLACK
- 03- 24K GOLD PLATED
- 04- CHROME PLATED
- 04BR- BRUSHED CHROME PLATED
- 05- ARCHITECTURAL BRONZE
- 06- ANTIQUE COPPER

- 07- ANTIQUE BRASS PLATED
- 08- ANTIQUE SILVER PLATED
- 09- MAHOGANY
- 11- MATTE WHITE
- 12BR- BRUSHED NICKEL PLATED
- 13- SATIN NICKEL PLATED
- 14- ALMOND



PROJECT

Your Project: _____

Representative: _____