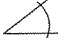



SPECIFICATION SHEET


3 1/2" LINE VOLTAGE


PROJECT No:


T3100 - SQUARE ADJUSTABLE


 30° _____


 _____


 yes _____


 _____


 GU/GZ-10 50W "NON-IC" only _____

 _____

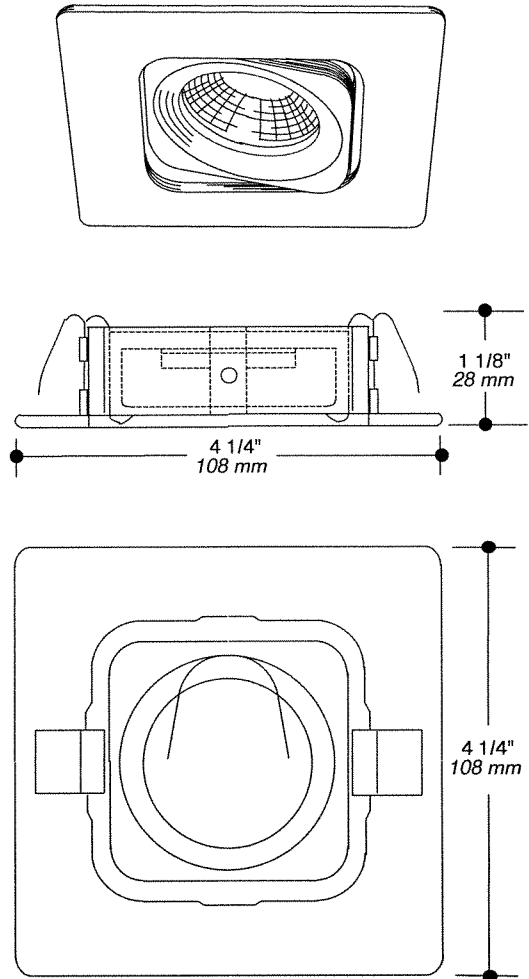
 _____

 NW3000LT _____

 IT3000LT _____

 _____

E Electronic **M** Magnetic **C** Short **L** Long



NOTES:

*UNLESS OTHERWISE INDICATED,
ALL TRIMS SERIES ARE FOR INTERIOR USE ONLY.*

THE BLACK POTS ARE OPTIONAL

TRIM FINISH

- | | |
|-----------------------------|-----------------------------|
| 01- WHITE | 07- ANTIQUE BRASS PLATED |
| 02- BLACK | 08- ANTIQUE SILVER PLATED |
| 03- 24K GOLD PLATED | 09- MAHOGANY |
| 04- CHROME PLATED | 11- MATTE WHITE |
| 04BR- BRUSHED CHROME PLATED | 12BR- BRUSHED NICKEL PLATED |
| 05- ARCHITECTURAL BRONZE | 13- SATIN NICKEL PLATED |
| 06- ANTIQUE COPPER | 14- ALMOND |



PROJECT

Your Project: _____

Representative: _____