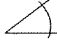







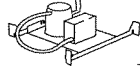




**SPECIFICATION SHEET**

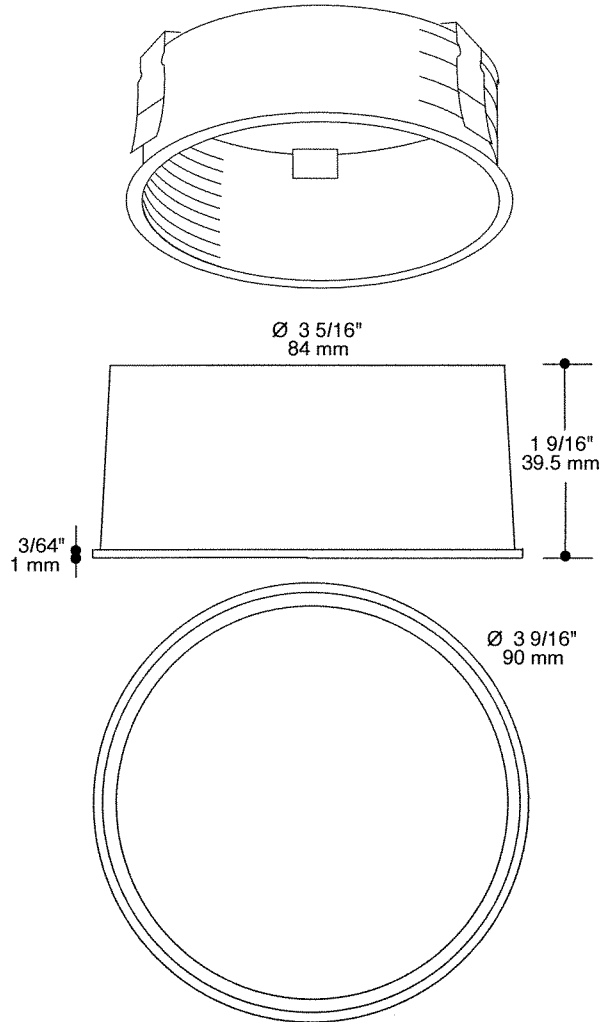
3 1/2" LINE VOLTAGE PAR20

**REFRE2550 - SPECULAR REFLECTOR**

**PROJECT No:**

	_____
	_____
	<b>yes</b>
	_____
	_____
	_____
	_____
	_____
	<b>NW2550CA</b>
	<b>CA2550</b>
	<b>ISCA2550</b>

**E** Electronic **M** Magnetic **C** Short **L** Long



**NOTES:**

**UNLESS OTHERWISE INDICATED, ALL TRIMS SERIES ARE FOR INTERIOR USE ONLY.**

Specular Reflector Finishes:  
CL : Clear - BK : Black - CH : Champagne.

**TRIM FINISH**

- |                             |                             |
|-----------------------------|-----------------------------|
| 01- WHITE                   | 07- ANTIQUE BRASS PLATED    |
| 02- BLACK                   | 08- ANTIQUE SILVER PLATED   |
| 03- 24K GOLD PLATED         | 09- MAHOGANY                |
| 04- CHROME PLATED           | 11- MATTE WHITE             |
| 04BR- BRUSHED CHROME PLATED | 12BR- BRUSHED NICKEL PLATED |
| 05- ARCHITECTURAL BRONZE    | 13- SATIN NICKEL PLATED     |
| 06- ANTIQUE COPPER          | 14- ALMOND                  |



**PROJECT**

Your Project: \_\_\_\_\_

Representative: \_\_\_\_\_