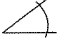











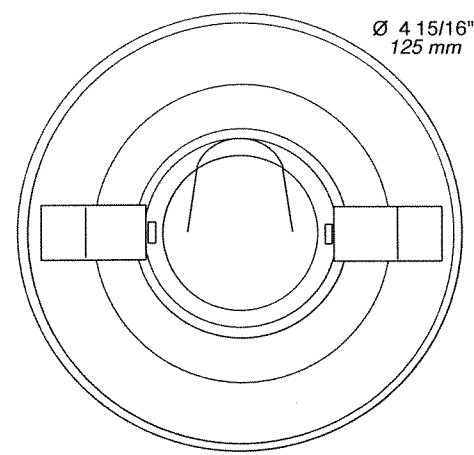
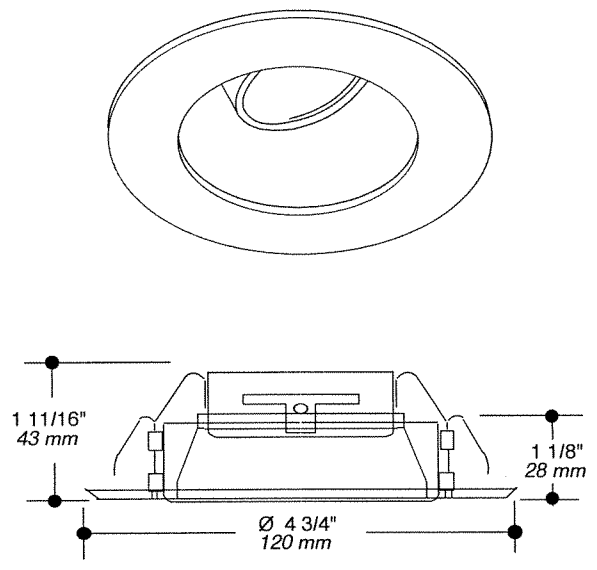
**SPECIFICATION SHEET**

**PROJECT No:**  
\_\_\_\_\_

4" LINE VOLTAGE

**R2000- REGRESSED ADJUSTABLE**

-  \_\_\_\_\_ 30° \_\_\_\_\_
-  \_\_\_\_\_
-  \_\_\_\_\_ yes \_\_\_\_\_
-  \_\_\_\_\_
-  \_\_\_\_\_ GU/GZ-10 50W "NON-IC" only \_\_\_\_\_
-  \_\_\_\_\_
-  \_\_\_\_\_
-  \_\_\_\_\_ NW2000T \_\_\_\_\_
-  \_\_\_\_\_ IT2000T \_\_\_\_\_
-  \_\_\_\_\_



**E** Electronic **M** Magnetic **C** Short **L** Long

NOTES:  
**UNLESS OTHERWISE INDICATED,  
ALL TRIMS SERIES ARE FOR INTERIOR USE ONLY.**

**TRIM FINISH**

- 01- WHITE
- 02- BLACK
- 03- 24K GOLD PLATED
- 04- CHROME PLATED
- 04BR- BRUSHED CHROME PLATED
- 05- ARCHITECTURAL BRONZE
- 06- ANTIQUE COPPER
- 07- ANTIQUE BRASS PLATED
- 08- ANTIQUE SILVER PLATED
- 09- MAHOGANY
- 11- MATTE WHITE
- 12BR- BRUSHED NICKEL PLATED
- 13- SATIN NICKEL PLATED
- 14- ALMOND



**PROJECT**

Your Project: \_\_\_\_\_

Representative: \_\_\_\_\_