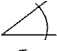


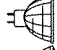



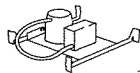
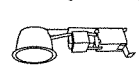
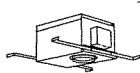


SPECIFICATION SHEET

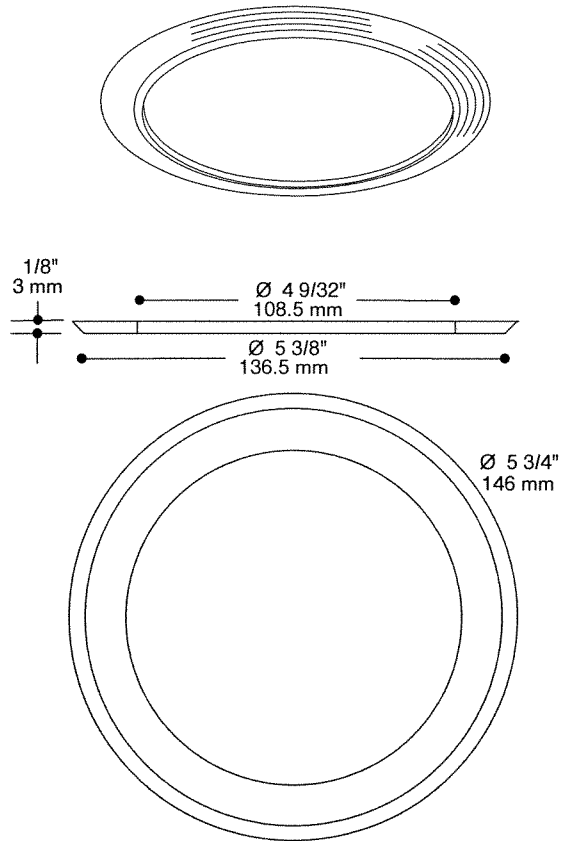
4 3/8" LINE VOLTAGE PAR30

PROJECT No:

C2575 - TRIM COLLAR
 (Requires Baffle / Reflector)

-  _____
-  _____
-  **yes** _____
-  _____
-  _____
-  _____
-  _____
-  **NW2575CA** _____
-  **CA2575**
CA2575KIT _____
-  **ISCA2575** _____

E Electronic **M** Magnetic **C** Short **L** Long



NOTES:

UNLESS OTHERWISE INDICATED, ALL TRIMS SERIES ARE FOR INTERIOR USE ONLY.

For use with baffle (Kit CA2575 available)

TRIM FINISH

- | | |
|-----------------------------|-----------------------------|
| 01- WHITE | 07- ANTIQUE BRASS PLATED |
| 02- BLACK | 08- ANTIQUE SILVER PLATED |
| 03- 24K GOLD PLATED | 09- MAHOGANY |
| 04- CHROME PLATED | 11- MATTE WHITE |
| 04BR- BRUSHED CHROME PLATED | 12BR- BRUSHED NICKEL PLATED |
| 05- ARCHITECTURAL BRONZE | 13- SATIN NICKEL PLATED |
| 06- ANTIQUE COPPER | 14- ALMOND |



PROJECT

Your Project: _____

Representative: _____

