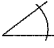








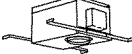


**SPECIFICATION SHEET**

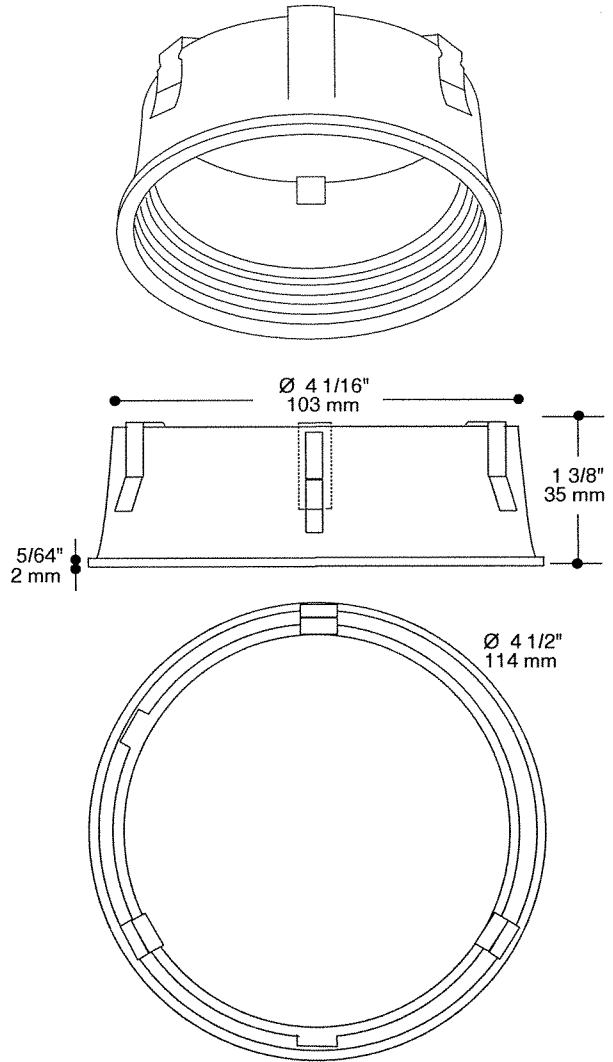
4 3/8" LINE VOLTAGE PAR30

**PROJECT No:**  
 \_\_\_\_\_

**BAFRE2575 - GROOVED PHENOLIC BAFFLE**

-  \_\_\_\_\_
-  \_\_\_\_\_
-  **yes** \_\_\_\_\_
-  \_\_\_\_\_
-  \_\_\_\_\_
-  **PAR30 75W** \_\_\_\_\_
-  \_\_\_\_\_
-  **NW2575CA** \_\_\_\_\_
-  **CA2575** \_\_\_\_\_
-  **ISCA2575** \_\_\_\_\_

**E** Electronic **M** Magnetic **C** Short **L** Long



**NOTES:**

**UNLESS OTHERWISE INDICATED, ALL TRIMS SERIES ARE FOR INTERIOR USE ONLY.**

Baffle 01-White or 02- Black

**TRIM FINISH**

- |                             |                             |
|-----------------------------|-----------------------------|
| 01- WHITE                   | 07- ANTIQUE BRASS PLATED    |
| 02- BLACK                   | 08- ANTIQUE SILVER PLATED   |
| 03- 24K GOLD PLATED         | 09- MAHOGANY                |
| 04- CHROME PLATED           | 11- MATTE WHITE             |
| 04BR- BRUSHED CHROME PLATED | 12BR- BRUSHED NICKEL PLATED |
| 05- ARCHITECTURAL BRONZE    | 13- SATIN NICKEL PLATED     |
| 06- ANTIQUE COPPER          | 14- ALMOND                  |



**PROJECT**

Your Project: \_\_\_\_\_

Representative: \_\_\_\_\_