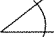











SPECIFICATION SHEET

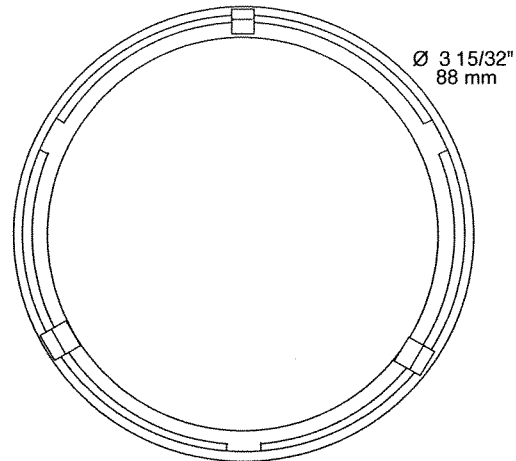
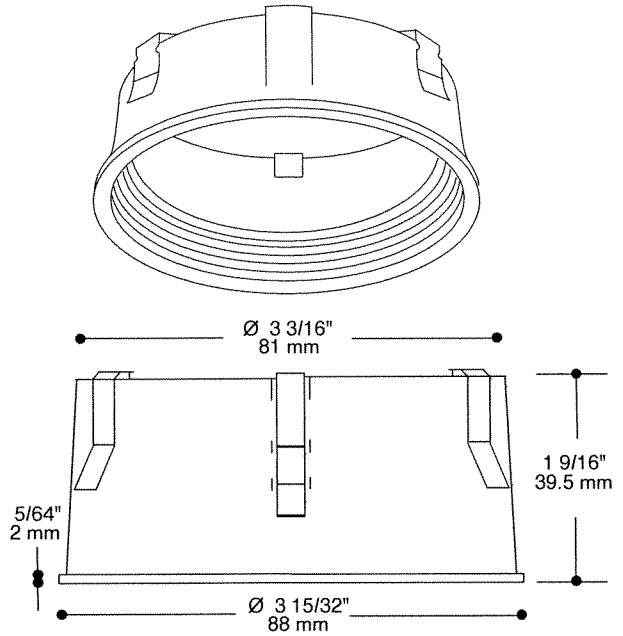
PROJECT No:

3 1/2" LINE VOLTAGE PAR20

BAFRE2550 - GROOVED PHENOLIC BAFFLE

-  _____
-  _____
-  _____
-  **yes** _____
-  _____
-  **PAR20 50W** _____
-  _____
-  **NW2550CA** _____
-  **CA2550** _____
-  **ISCA2550** _____

E Electronic **M** Magnetic **C** Short **L** Long



NOTES:

UNLESS OTHERWISE INDICATED, ALL TRIMS SERIES ARE FOR INTERIOR USE ONLY.

Baffle White or Black

TRIM FINISH

- | | |
|-----------------------------|-----------------------------|
| 01- WHITE | 07- ANTIQUE BRASS PLATED |
| 02- BLACK | 08- ANTIQUE SILVER PLATED |
| 03- 24K GOLD PLATED | 09- MAHOGANY |
| 04- CHROME PLATED | 11- MATTE WHITE |
| 04BR- BRUSHED CHROME PLATED | 12BR- BRUSHED NICKEL PLATED |
| 05- ARCHITECTURAL BRONZE | 13- SATIN NICKEL PLATED |
| 06- ANTIQUE COPPER | 14- ALMOND |



PROJECT

Your Project: _____

Representative: _____