
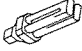


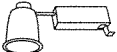




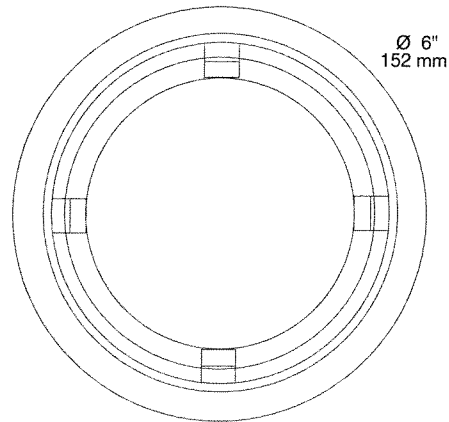
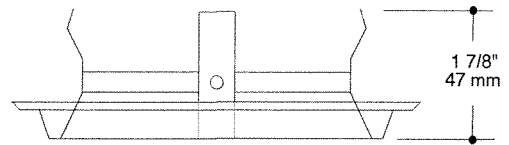
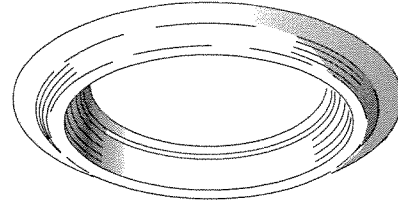
SPECIFICATION SHEET

VERTICAL COMPACT FLUORESCENT SERIES 4"

PROJECT No:

B2675 DECOR

	_____
	yes
	_____
	13 = 13w GX23-2 2 PIN DTT
	_____
	CL : Clear CH : Champagne
	_____
	NW2675F
	_____
	F2675R
	_____
	ISF2675R
	_____
	4 5/8" (118 mm)



NOTES:

*UNLESS OTHERWISE INDICATED,
ALL TRIMS SERIES ARE FOR INTERIOR USE ONLY.*

TRIM FINISH

- | | |
|-----------------------------|-----------------------------|
| 01- WHITE | 07- ANTIQUE BRASS PLATED |
| 02- BLACK | 08- ANTIQUE SILVER PLATED |
| 03- 24K GOLD PLATED | 09- MAHOGANY |
| 04- CHROME PLATED | 11- MATTE WHITE |
| 04BR- BRUSHED CHROME PLATED | 12BR- BRUSHED NICKEL PLATED |
| 05- ARCHITECTURAL BRONZE | 13- SATIN NICKEL PLATED |
| 06- ANTIQUE COPPER | 14- ALMOND |

Your Project: _____

Representative: _____

