






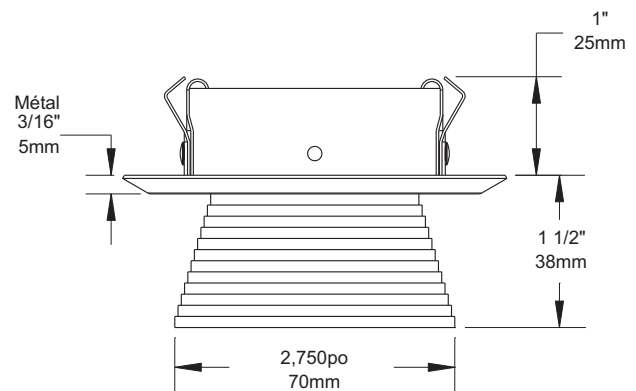
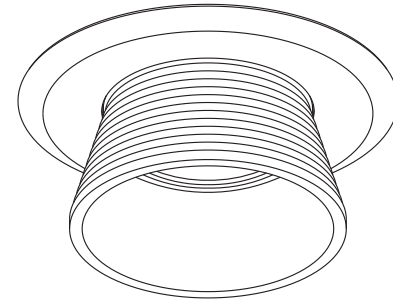
# SPECIFICATION SHEET

3" 4000 SERIES

# T4210V

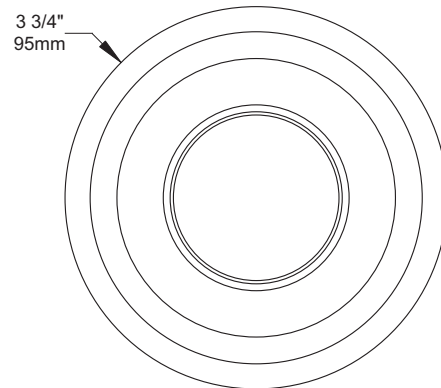
BEVELED TRIM WITH FROSTED STEPPED BLUE GLASS

	YES
<b>Damp Location</b>	
	20-35W
<b>MR16</b>	
	<b>Insulated ceiling housing</b> ISMR4000M, ISMR4000M20
	<b>New construction housing</b> NW4000E, NW4000M
	<b>Remodel housing</b> IT4000CE, IT4000CM, IT4000E, IT4000M



## COMPATIBLE HOUSINGS

35W MR16	20W MR16
IT4000E	ISMR4000M
IT4000M	ISMR4000M20
NW4000E	IT4000CE
NW4000M	IT4000CM



## TRIM FINISHES

-01 WHITE	-04BR BRUSHED CHROME	-08 ANTIQUE SILVER
-02 BLACK	-05 ARCHITECTURAL BRONZE	-11 MATTE WHITE
-03 24K GOLD	-06 ANTIQUE COPPER	-12BR BRUSHED NICKEL
-04 CHROME	-07 ANTIQUE BRASS	-13 SATIN NICKEL
		-14 ALMOND

Unless otherwise indicated, trims are for **interior use only**. For exterior use and up to wet conditions, **MARINE GRADE** treatment is **recommended**. Available for finishes -01, -02, -05, -06, -11 and -14 only.

**MADE IN CANADA**

**UL** LISTED  
Certified UL Standards

Project \_\_\_\_\_

Representative \_\_\_\_\_

**CONTRAST**  
LIGHTING

1009, rue du Parc Industriel, Saint-Jean-Chrysostome, Qc, CAN G6Z 1C5 Tel.: 1-888-839-4624 Fax : 1-877-839-7057  
info@contrastlighting.com  
www.contrastlighting.com

APRIL 2010