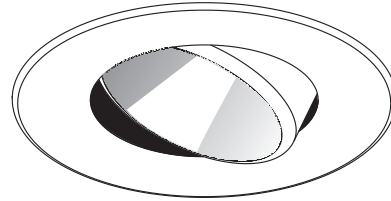








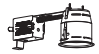
# SPECIFICATION SHEET

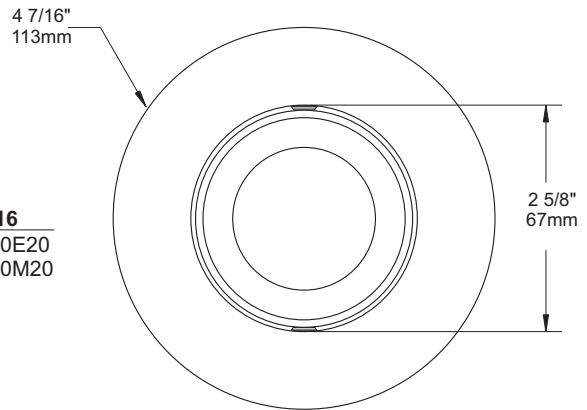
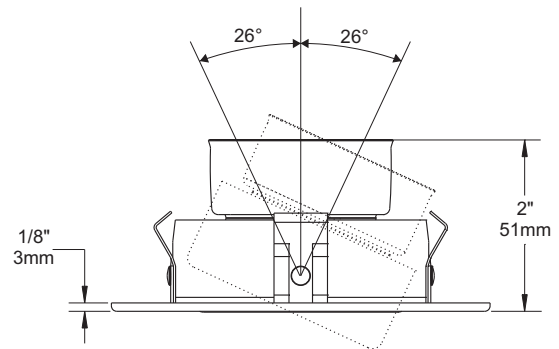
3 1/2" 3000 SERIES

# T3450D

LOW PROFILE ADJUSTABLE REGRESSED TRIM WITH SMOOTH REFLECTOR (SM)



	<b>YES</b>																		
<b>Damp Location</b>																			
	<b>20-50W</b>																		
<b>MR16</b>																			
	<b>50W*</b>																		
<b>GU/GZ-10</b>																			
	<p><b>Standard : Anodized aluminum</b> Available :</p> <table border="0"> <tr> <td><b>Anodized</b></td> <td><b>Specular</b></td> <td><b>Painted</b></td> </tr> <tr> <td>Azur (AZ)</td> <td>Black (BK)</td> <td>White (-01)</td> </tr> <tr> <td>Burnt orange (BO)</td> <td>Champagne (CH)</td> <td>Black (-02)</td> </tr> <tr> <td>Cobalt blue (CB)</td> <td>Clear (CL)</td> <td>Matte White (-11)</td> </tr> <tr> <td>Inca Gold (IG)</td> <td></td> <td></td> </tr> <tr> <td>Ruby (RU)</td> <td></td> <td></td> </tr> </table> <p>To order a white trim with the by default reflector : <b>T3450D-01SM</b> To order a white trim with an Azur smooth reflector : <b>T3450D-01-AZSM</b></p>	<b>Anodized</b>	<b>Specular</b>	<b>Painted</b>	Azur (AZ)	Black (BK)	White (-01)	Burnt orange (BO)	Champagne (CH)	Black (-02)	Cobalt blue (CB)	Clear (CL)	Matte White (-11)	Inca Gold (IG)			Ruby (RU)		
<b>Anodized</b>	<b>Specular</b>	<b>Painted</b>																	
Azur (AZ)	Black (BK)	White (-01)																	
Burnt orange (BO)	Champagne (CH)	Black (-02)																	
Cobalt blue (CB)	Clear (CL)	Matte White (-11)																	
Inca Gold (IG)																			
Ruby (RU)																			
	<p><b>Insulated ceiling housing</b> ISMR3000E20, ISMR3000E35, ISMR3000M, ISMR3000M20, ISMR3000M35, ISMR3000T*</p>																		
	<p><b>New construction housing</b> NW3000CE, NW3000CM, NW3000LE, NW3000LM, NW3000LT*</p>																		
	<p><b>Remodel housing</b> IT3000CE, IT3000CM, IT3000E, IT3000M, IT3000LE, IT3000LM, IT3000LT*</p>																		



## COMPATIBLE HOUSINGS

50W GU-GZ/10	50W MR16	35W MR16	20W MR16
ISMR3000T*	ISMR3000M	NW3000CE	ISMR3000E35
IT3000LT*	IT3000E	NW3000CM	ISMR3000M35
NW3000LT*	IT3000M	NW3000LE	IT3000CE
	IT3000LE	NW3000LM	IT3000CM
	IT3000LM		

## TRIM FINISHES

-01 WHITE	-04BR BRUSHED CHROME	-08 ANTIQUE SILVER
-02 BLACK	-05 ARCHITECTURAL BRONZE	-11 MATTE WHITE
-03 24K GOLD	-06 ANTIQUE COPPER	-12BR BRUSHED NICKEL
-04 CHROME	-07 ANTIQUE BRASS	-13 SATIN NICKEL
		-14 ALMOND

Unless otherwise indicated, trims are for **interior use only**. For exterior use and up to wet conditions, **MARINE GRADE** treatment is **recommended**. Available for finishes -01, -02, -05, -06, -11 and -14 only.



Project \_\_\_\_\_

Representative \_\_\_\_\_

**CONTRAST**  
LIGHTING

1009, rue du Parc Industriel, Saint-Jean-Chrysostome, Qc, CAN G6Z 1C5 Tel.: 1-888-839-4624 Fax : 1-877-839-7057  
info@contrastlighting.com  
www.contrastlighting.com

APRIL 2010