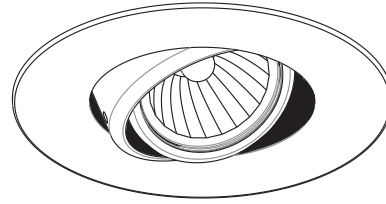







SPECIFICATION SHEET

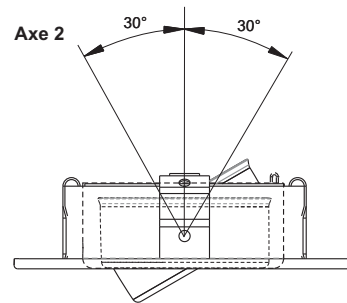
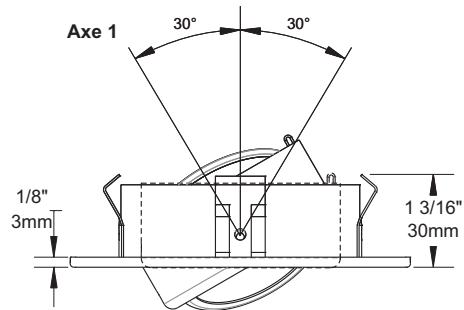
3 1/2" 3000 SERIES

T3250DG

TRIM WITH DOUBLE GIMBAL RING

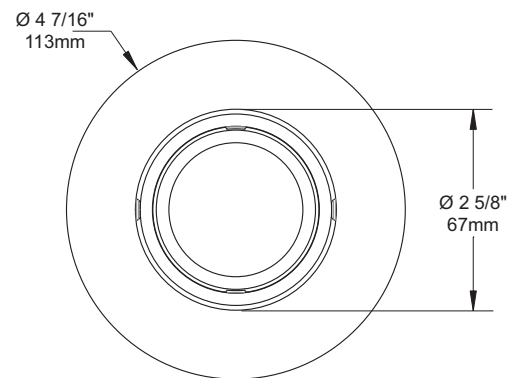


	YES
Damp Location	
	37-50W
MR16	
	Insulated ceiling housing ISMR3000E35, ISMR3000M
	New construction housing NW3000CE, NW3000CM, NW3000LE, NW3000LM
	Remodel housing IT3000CM, IT3000CE, IT3000M, IT3000E, IT3000LM, IT3000LE



COMPATIBLE HOUSINGS

50W MR16	37W MR16		35W MR16
ISMR3000M	IT3000CE	IT3000M	ISMR3000E35
IT3000LE	IT3000CM	NW3000CE	
IT3000LM	IT3000E	NW3000CM	
NW3000LE			
NW3000LM			



TRIM FINISHES

-01 WHITE	-04BR BRUSHED CHROME	-08 ANTIQUE SILVER
-02 BLACK	-05 ARCHITECTURAL BRONZE	-11 MATTE WHITE
-03 24K GOLD	-06 ANTIQUE COPPER	-12BR BRUSHED NICKEL
-04 CHROME	-07 ANTIQUE BRASS	-13 SATIN NICKEL
		-14 ALMOND

Unless otherwise indicated, trims are for **interior use only**. For exterior use and up to wet conditions, **MARINE GRADE** treatment is **recommended**. Available for finishes -01, -02, -05, -06, -11 and -14 only.

MADE IN CANADA

UL US LISTED
Certified UL Standards

Project _____

Representative _____

CONTRAST
LIGHTING

1009, rue du Parc Industriel, Saint-Jean-Chrysostome, Qc, CAN G6Z 1C5 Tel.: 1-888-839-4624 Fax : 1-877-839-7057
info@contrastlighting.com
www.contrastlighting.com

MARCH 2011