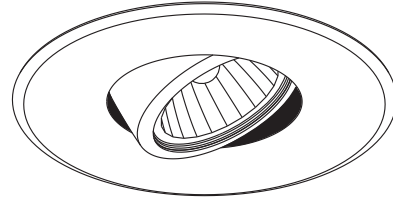








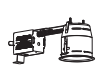
# SPECIFICATION SHEET

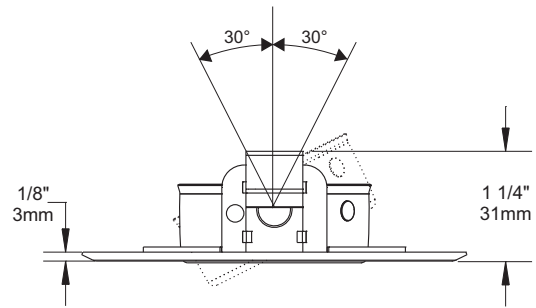
3 1/2" 3000 SERIES

# T3200

## ADJUSTABLE TRIM

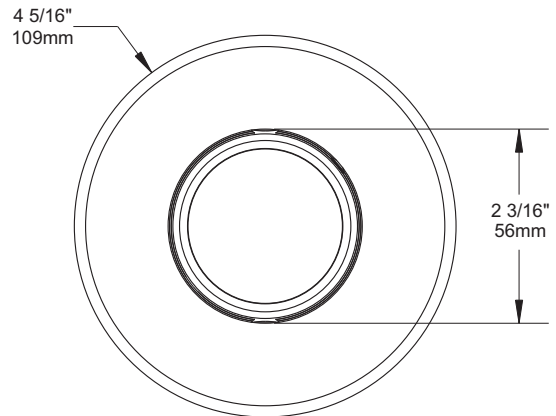


	YES
<b>Damp Location</b>	
	20-50W
<b>MR16</b>	
	50W*
<b>GU/GZ-10</b>	
	DOES NOT APPLY
<b>Reflector</b>	
	<b>Insulated ceiling housing</b> ISMR3000E20, ISMR3000E35, ISMR3000M, ISMR3000M20, ISMR3000M35, ISMR3000T*
	<b>New construction housing</b> NW3000CE, NW3000CM, NW3000LE, NW3000LM, NW3000LT*
	<b>Remodel housing</b> IT3000CE, IT3000CM, IT3000E, IT3000M, IT3000LE, IT3000LM, IT3000LT*



## COMPATIBLE HOUSINGS

50W GU-GZ/10	50W MR16	42W MR16	35W MR16	20W MR16
ISMR3000T NW3000LT IT3000LT	ISMR3000M IT3000LE IT3000LM NW3000CE NW3000CM NW3000LE NW3000LM	IT3000E IT3000M	ISMR3000E35 ISMR3000M35 IT3000CE IT3000CM	ISMR3000E20 ISMR3000M20



## TRIM FINISHES

-01 WHITE	-04BR BRUSHED CHROME	-08 ANTIQUE SILVER
-02 BLACK	-05 ARCHITECTURAL BRONZE	-11 MATTE WHITE
-03 24K GOLD	-06 ANTIQUE COPPER	-12BR BRUSHED NICKEL
-04 CHROME	-07 ANTIQUE BRASS	-13 SATIN NICKEL
		-14 ALMOND

Unless otherwise indicated, trims are for **interior use only**. For exterior use and up to wet conditions, **MARINE GRADE** treatment is **recommended**. Available for finishes -01, -02, -05, -06, -11 and -14 only.



Project \_\_\_\_\_

Representative \_\_\_\_\_

**CONTRAST**  
LIGHTING

1009, rue du Parc Industriel, Saint-Jean-Chrysostome, Qc, CAN G6Z 1C5 Tel.: 1-888-839-4624 Fax : 1-877-839-7057  
info@contrastlighting.com  
www.contrastlighting.com

APRIL 2010