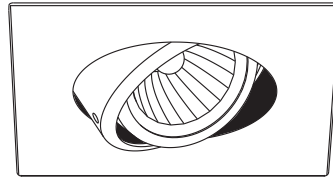







# SPECIFICATION SHEET

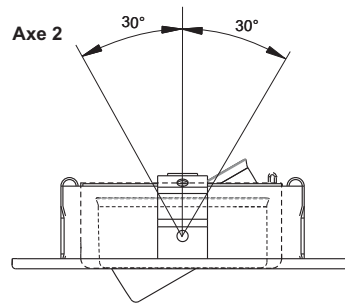
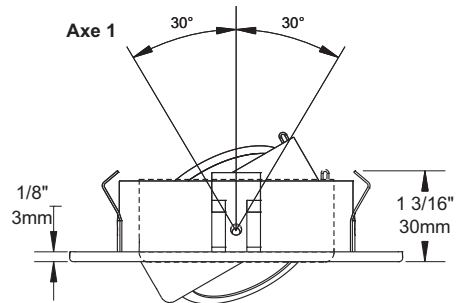
3 1/2" 3000 SERIES

# T3145DG

SQUARE DOUBLE GIMBAL TRIM

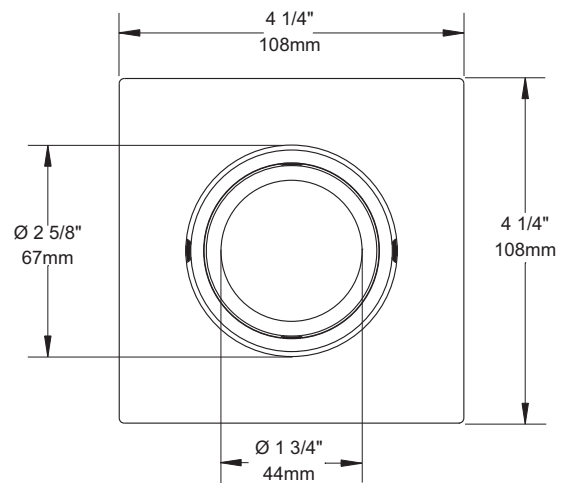


	<b>YES</b>
<b>Damp Location</b>	
	<b>37-50W</b>
<b>MR16</b>	
	<b>Insulated ceiling housing AVAILABLE SOON</b>
	<b>New construction housing NW3000CE, NW3000CM, NW3000LE, NW3000LM</b>
	<b>Remodel housing IT3000CM, IT3000CE, IT3000M, IT3000E, IT3000LM, IT3000LE</b>



## COMPATIBLE HOUSINGS

50W MR16	37W MR16	
IT3000LE	IT3000CE	IT3000M
IT3000LM	IT3000CM	NW3000CE
NW3000LE	IT3000E	NW3000CM
NW3000LM		



## TRIM FINISHES

-01 WHITE	-04BR BRUSHED CHROME	-08 ANTIQUE SILVER
-02 BLACK	-05 ARCHITECTURAL BRONZE	-11 MATTE WHITE
-03 24K GOLD	-06 ANTIQUE COPPER	-12BR BRUSHED NICKEL
-04 CHROME	-07 ANTIQUE BRASS	-13 SATIN NICKEL
		-14 ALMOND

Unless otherwise indicated, trims are for **interior use only**. For exterior use and up to wet conditions, **MARINE GRADE** treatment is **recommended**. Available for finishes -01, -02, -05, -06, -11 and -14 only.

**MADE IN CANADA**

**UL** LISTED  
Certified UL Standards

Project \_\_\_\_\_

Representative \_\_\_\_\_

**CONTRAST**  
LIGHTING

1009, rue du Parc Industriel, Saint-Jean-Christophe, Qc, CAN G6Z 1C5 Tel.: 1-888-839-4624 Fax: 1-877-839-7057  
info@contrastlighting.com  
www.contrastlighting.com

JUNE 2010