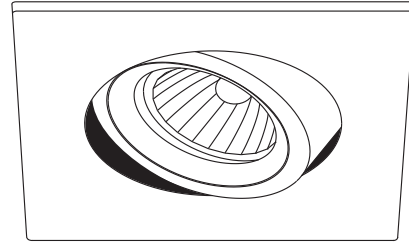








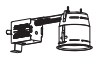
SPECIFICATION SHEET

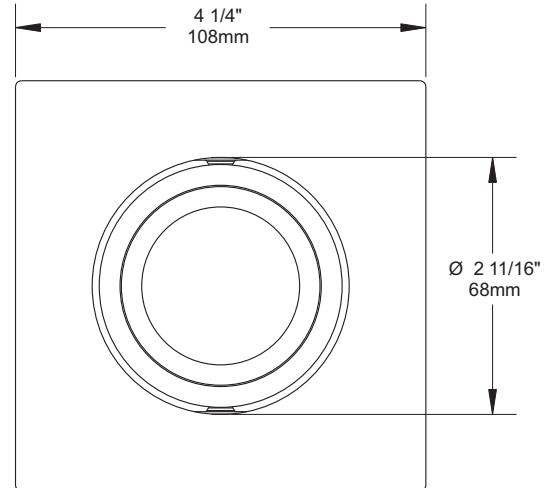
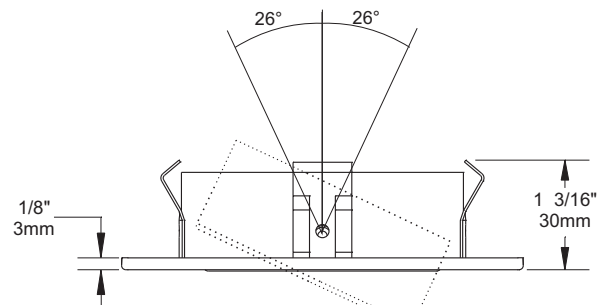
3 1/2" 3000 SERIES

T3125

SQUARE ADJUSTABLE TRIM



	YES
Damp Location	
	20-50W
MR16	
	50W*
GU/GZ-10	
	DOES NOT APPLY
Reflector	
	Boîtier pour plafond isolé ISMR3000E20, ISMR3000E35, ISMR3000M, ISMR3000M20, ISMR3000M35, ISMR3000T*
	Boîtier pour nouvelle construction NW3000CE, NW3000CM, NW3000LE, NW3000LM, NW3000LT*
	Boîtier rénovateur IT3000CE, IT3000CM, IT3000E IT3000LE, IT3000LM, IT3000LT* IT3000M



COMPATIBLE HOUSINGS

50W GU-GZ/10	50W MR16	42W MR16	35W MR16	20W MR16
ISMR3000T*	ISMR3000M	IT3000E	ISMR3000E35	ISMR3000E20
IT3000LT*	IT3000LE	IT3000M	ISMR3000M35	ISMR3000M20
NW3000LT*	IT3000LM		IT3000CE	
	NW3000CE		IT3000CM	
	NW3000CM			
	NW3000LE			
	NW3000LM			

TRIM FINISH

-01 WHITE	-04BR BRUSHED CHROME PLATED	-08 ANTIQUE SILVER PLATED
-02 BLACK	-05 ARCHITECTURAL BRONZE	-11 MATTE WHITE
-03 24K GOLD PLATED	-06 ANTIQUE COPPER	-12BR BRUSHED NICKEL PLATED
-04 CHROME PLATED	-07 ANTIQUE BRASS PLATED	-13 SATIN NICKEL PLATED
		-14 ALMOND

For exterior use and up to wet conditions (Wet Location), **MARINE GRADE** treatment is recommended.
Available for painted finishes only (-01,-02,-05,-06,-11,-14).



Project _____

Representative _____

CONTRAST
L I G H T I N G

1009, rue du Parc Industriel, Saint-Jean-Chrysostome, Qc, CAN G6Z 1C5 Tel.: 1-888-839-4624 Fax : 1-877-839-7057
info@contrastlighting.com
www.contrastlighting.com

APRIL 2010