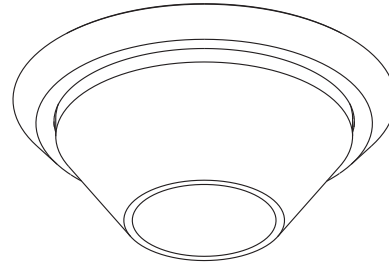









SPECIFICATION SHEET

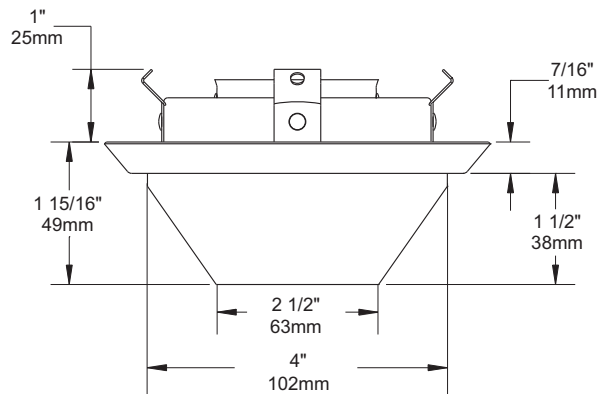
4" 2000 SERIES

T2010VL

FROSTED SMOOTH BLUE GLASS TRIM

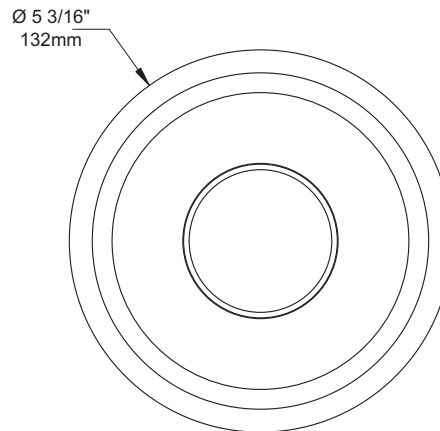


	YES
Damp Location	
	35-75W
MR16	
	50W*
GU/GZ-10	
	2 available colors : natural et blue. White trim with natural glass : T2000V-01 White trim with blue glass : T2010V-01
Glass	
	Insulated ceiling housing ISMR2000E35, ISMR2000M, ISMR2000M35 ISMR2000E37, ISMR2000M37, ISMR2000T*
	New construction housing NW2000E, NW2000CE, NW2000CM, NW2000LM, NW2000T*
	Remodel housing IT2000M, IT2000CM, IT2000E, IT2000CE, IT2000T*



COMPATIBLE HOUSINGS

50W GU-GZ/10	50W MR16	42W MR16
ISMR2000T IT2000T NW2000T	ISMR2000M IT2000E IT2000M NW2000CM NW2000E NW2000LM	IT2000CE IT2000CM NW2000CE
37W MR16	35W MR16	
ISMR2000E37 ISMR2000M37	ISMR2000E35 ISMR2000M35	



TRIM FINISHES

-01 WHITE	-04BR BRUSHED CHROME	-08 ANTIQUE SILVER
-02 BLACK	-05 ARCHITECTURAL BRONZE	-11 MATTE WHITE
-03 24K GOLD	-06 ANTIQUE COPPER	-12BR BRUSHED NICKEL
-04 CHROME	-07 ANTIQUE BRASS	-13 SATIN NICKEL
		-14 ALMOND

Unless otherwise indicated, trims are for **interior use only**. For exterior use and up to wet conditions, **MARINE GRADE** treatment is **recommended**. Available for finishes -01, -02, -05, -06, -11 and -14 only.

MADE IN CANADA

UL LISTED
Certified UL Standards

Project _____

Representative _____

CONTRAST
LIGHTING

1009, rue du Parc Industriel, Saint-Jean-Christophe, Qc, CAN G6Z 1C5 Tel.: 1-888-839-4624 Fax : 1-877-839-7057
info@contrastlighting.com
www.contrastlighting.com

JULY 2010