


SPECIFICATION SHEET

3" 4000 SERIES

REM-4000

REM-T4000
REM-J4000
REM-TJ4000

REMODEL HOUSING FOR INSTALLATION WITH REMOTE TRANSFORMER

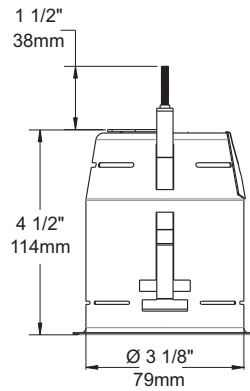
 **OD CUT** \varnothing 3 1/4" (83mm)

REM-4000
Housing with hooks and socket.
12V MR16 35W MAX.

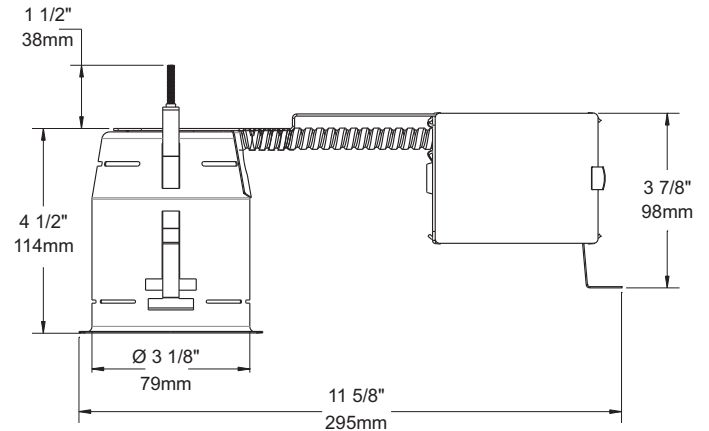
REM-J4000
Housing with hooks, socket and
junction box.
12V MR16 35W MAX.

REM-T4000
Housing with hooks, socket, and
thermal protection.
12V MR16 35W MAX.

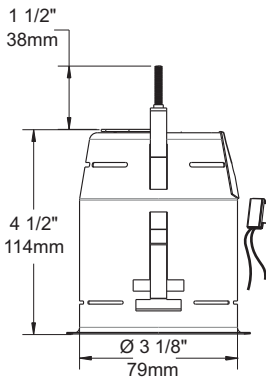
REM-TJ4000
Housing with hooks, socket,
junction box and thermal protection.
12V MR16 35W MAX.



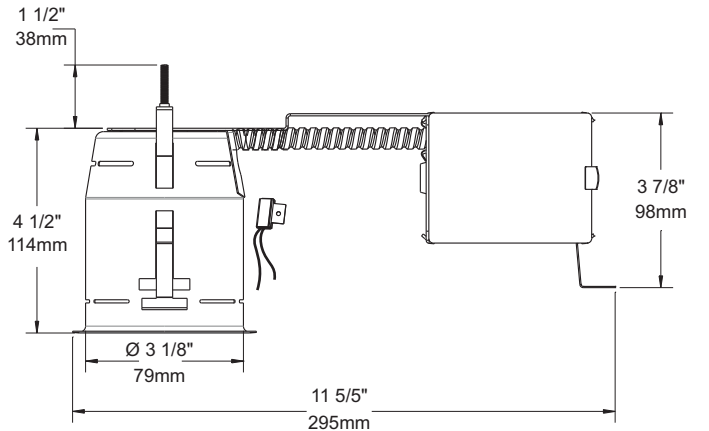
REM-4000



REM-J4000



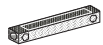
REM-T4000



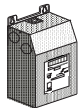
REM-TJ4000



Contrast Remote Transformers



Electronic :
TRAE150R 150VA 120V - 12V
4 Year Limited Warranty



Magnetic :
TRAM150R 150VA 120V - 12V
TRAM3002R 300VA 120V - 2 X 150VA/12V, 1 X 300VA 24V
TRAM300R6 300VA 120V - 6 X 50VA/12V
TRAM6002R 600VA 120V - 2 X 300VA/12V, 1 X 600VA/24V
5 Year Limited Warranty

Important : To minimize voltage drop, transformer should be located as close as possible to fixture. Please consult opposite table.

These installations require field inspection for cULus certification

For more details, please consult the remote transformer specification sheet on our Website.

Maximum number of feet in run
to keep voltage drop under 3%

Wire gauge	Power		
	50W	100W	300W
14 gauge	14	7	-
12 gauge	21	10	4
10 gauge	34	16	5
8 gauge	54	26	9

Ex. : Using 12 gauge wire, with a total of 100 Watts, the fixtures may be located up to 10 feet from the remote transformer.