

SPECIFICATION SHEET

3 1/2" 3000 SERIES

R3601W

BEVELED REGRESSED ADJUSTABLE WALL WASH TRIM WITH SQUARE PINHOLE OPENING



YES

Damp Location



MR16

20-50W



GU/GZ-10

50W*



Reflector

Standard : Anodized aluminum

Available :

Anodized

Azur (AZ)

Burnt orange (BO)

Cobalt blue (CB)

Inca Gold (IG)

Ruby (RU)

Specular

Black (BK)

Champagne (CH)

Clear (CL)

Painted

White (-01)

Black (-02)

Matte White (-11)

To order a white trim with the standard reflector :

R3601W-01

To order a white trim with an Azur smooth reflector :

R3601W-01AZ



Insulated ceiling housing

ISMR3000E20, ISMR3000E35, ISMR3000M, ISMR3000M20, ISMR3000M35



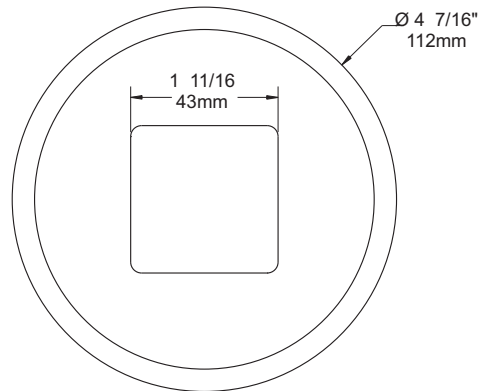
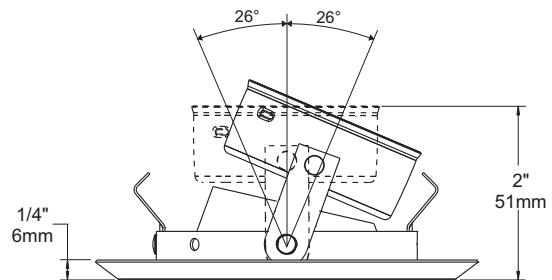
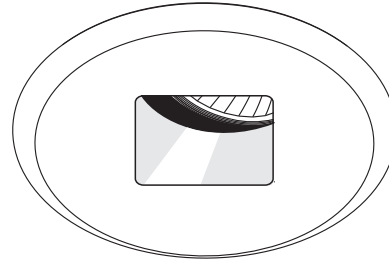
New construction housing

NW3000CE, NW3000CM, NW3000LE, NW3000LM, NW3000LT*



Remodel housing

IT3000LE, IT3000LM, IT3000LT*



COMPATIBLE HOUSINGS

50W GU-GZ/10	50W MR16	35W MR16	20W MR16
IT3000LT	IT3000LE	ISMR3000E35	ISMR3000E20
NW3000LT	IT3000LM	ISMR3000M	ISMR3000M20
	NW3000CE	ISMR3000M35	
	NW3000CM		
	NW3000LE		
	NW3000LM		

TRIM FINISHES

-01 WHITE	-04BR BRUSHED CHROME	-08 ANTIQUE SILVER
-02 BLACK	-05 ARCHITECTURAL BRONZE	-11 MATTE WHITE
-03 24K GOLD	-06 ANTIQUE COPPER	-12BR BRUSHED NICKEL
-04 CHROME	-07 ANTIQUE BRASS	-13 SATIN NICKEL
		-14 ALMOND

Unless otherwise indicated, trims are for **interior use only**. For exterior use and up to wet conditions, **MARINE GRADE** treatment is **recommended**. Available for finishes -01, -02, -05, -06, -11 and -14 only.



Certified UL Standards

Project _____

Representative _____

CONTRAST
LIGHTING

1009, rue du Parc Industriel, Saint-Jean-Christophe, Qc, CAN G6Z 1C5 Tel.: 1-888-839-4624 Fax : 1-877-839-7057
info@contrastlighting.com
www.contrastlighting.com

APRIL 2010