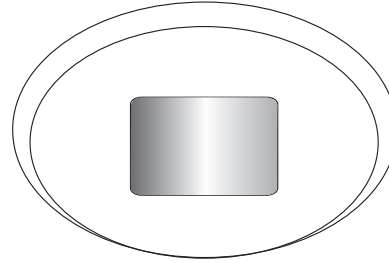


# SPECIFICATION SHEET

3 1/2" 3000 SERIES

# R3601

**BEVELED REGRESSED TRIM WITH SQUARE PINHOLE OPENING**



YES

Damp Location



MR16

20-50W



GU/GZ-10

50W\*



Reflector

Standard : Anodized aluminum

Available :

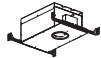
<b>Anodized</b>	<b>Specular</b>	<b>Painted</b>
Azur (AZ)	Black (BK)	White (-01)
Burnt orange (BO)	Champagne (CH)	Black (-02)
Cobalt blue (CB)	Clear (CL)	Matte White (-11)
Inca Gold (IG)		
Ruby (RU)		

To order a white trim with the standard reflector :

**R3601-01**

To order a white trim with an Azur smooth reflector :

**R3601-01AZ**



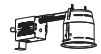
**Boîtier pour plafond isolé**

ISMR3000E20, ISMR3000E35, ISMR3000M, ISMR3000M20, ISMR3000M35



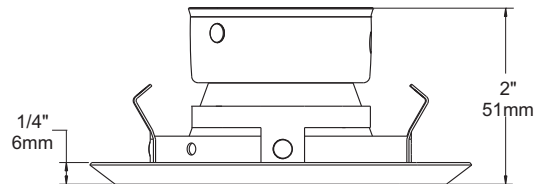
**Boîtier pour nouvelle construction**

NW3000CE, NW3000CM, NW3000LE, NW3000LM, NW3000LT\*



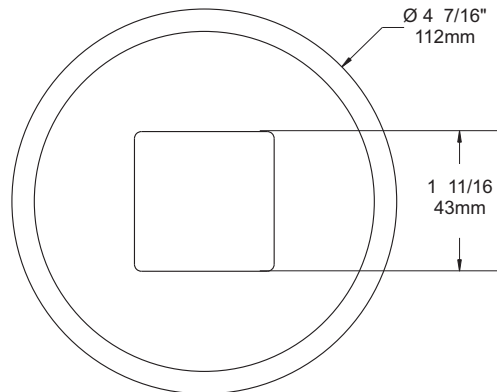
**Boîtier rénovateur**

IT3000LE, IT3000LM



## COMPATIBLE HOUSINGS

50W GU-GZ/10	50W MR16	35W MR16	20W MR16
NW3000LT	IT3000LE IT3000LM NW3000CE NW3000CM NW3000LE NW3000LM	ISMR3000E35 ISMR3000M ISMR3000M35	ISMR3000E20 ISMR3000M20



## TRIM FINISHES

-01 WHITE	-04BR BRUSHED CHROME	-08 ANTIQUE SILVER
-02 BLACK	-05 ARCHITECTURAL BRONZE	-11 MATTE WHITE
-03 24K GOLD	-06 ANTIQUE COPPER	-12BR BRUSHED NICKEL
-04 CHROME	-07 ANTIQUE BRASS	-13 SATIN NICKEL
		-14 ALMOND

Unless otherwise indicated, trims are for **interior use only**. For exterior use and up to wet conditions, **MARINE GRADE** treatment is **recommended**. Available for finishes -01, -02, -05, -06, -11, and -14 only.



Certified UL Standards

Project \_\_\_\_\_

Representative \_\_\_\_\_

**CONTRAST**  
LIGHTING

1009, rue du Parc Industriel, Saint-Jean-Christophe, Qc, CAN G6Z 1C5 Tel.: 1-888-839-4624 Fax : 1-877-839-7057  
info@contrastlighting.com  
www.contrastlighting.com

MARCH 2010