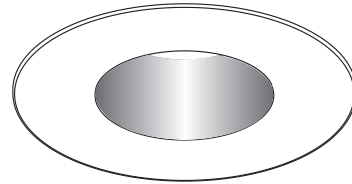


SPECIFICATION SHEET

3 1/2" 3000 SERIES

R3450D

REGRESSED ADJUSTABLE TRIM



YES

Damp Location



MR16

37-50W



Reflector

Standard : Anodized aluminum

Available :

Anodized

Azur (AZ)

Burnt orange (BO)

Cobalt blue (CB)

Inca Gold (IG)

Ruby (RU)

Specular

Black (BK)

Champagne (CH)

Clear (CL)

Painted

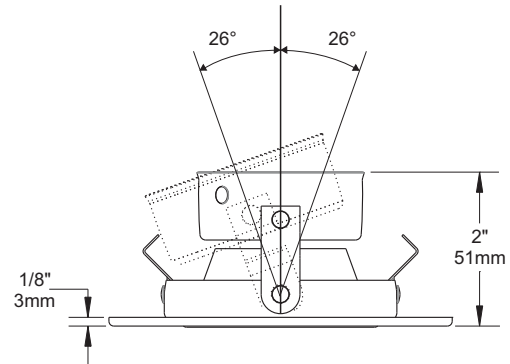
White (-01)

Black (-02)

Matte White (-11)

To order a white trim with the standard reflector :
R3450D-01

To order a white trim with an Azur smooth reflector :
R3450D-01AZ



Insulated ceiling housing
AVAILABLE SOON



New construction housing
NW3000CE, NW3000CM,
NW3000LE, NW3000LM



Remodel housing
IT3000CM, IT3000CE,
IT3000M, IT3000E,
IT3000LM, IT3000LE

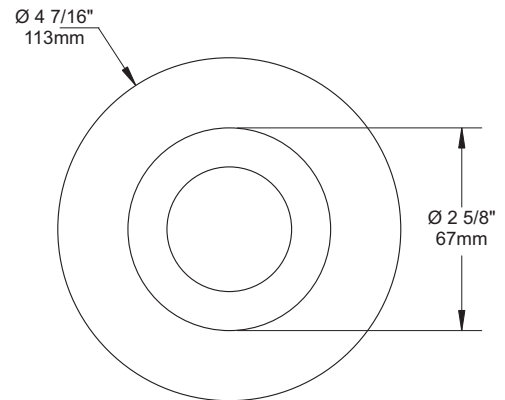
COMPATIBLE HOUSINGS

50W MR16

IT3000LE
IT3000LM
NW3000LE
NW3000LM

37W MR16

IT3000CE
IT3000CM
IT3000E
IT3000M
NW3000CE
NW3000CM



TRIM FINISHES

-01 WHITE	-04BR BRUSHED CHROME	-08 ANTIQUE SILVER
-02 BLACK	-05 ARCHITECTURAL BRONZE	-11 MATTE WHITE
-03 24K GOLD	-06 ANTIQUE COPPER	-12BR BRUSHED NICKEL
-04 CHROME	-07 ANTIQUE BRASS	-13 SATIN NICKEL
		-14 ALMOND

Unless otherwise indicated, trims are for **interior use only**. For exterior use and up to wet conditions, **MARINE GRADE** treatment is **recommended**. Available for finishes -01, -02, -05, -06, -11 and -14 only.

MADE IN CANADA

UL LISTED
Certified UL Standards

Project _____

Representative _____

CONTRAST
LIGHTING

1009, rue du Parc Industriel, Saint-Jean-Chrysostome, Qc, CAN G6Z 1C5 Tel.: 1-888-839-4624 Fax : 1-877-839-7057
info@contrastlighting.com
www.contrastlighting.com

JUNE 2010