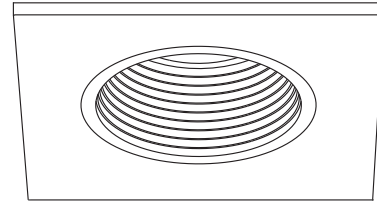


SPECIFICATION SHEET

4" 2000 SERIES

R2130VST

REGRESSED SQUARE TRIM WITH FROSTED GREEN STEPPED GLASS REFLECTOR



YES

Damp Location



37-50W

MR16



Insulated ceiling housing

ISMR2000E37, ISMR2000M37, ISMR2000M



New construction housing

NW2000E, NW2000CE, NW2000CM, NW2000LM



Remodel housing

IT2000M, IT2000CM, IT2000E, IT2000CE



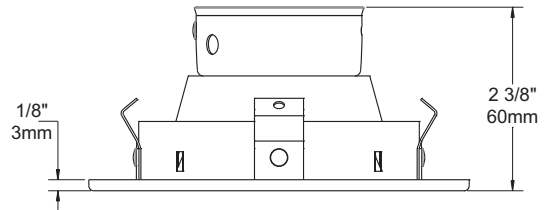
Reflector

Three available glass reflector colors : Natural, Blue and Green

For a Natural frosted glass reflector : R2100V-XXST

For a Blue frosted glass reflector : R2110V-XXST

For a Green frosted glass reflector : R2130V-XXST



COMPATIBLE HOUSINGS

37W MAX

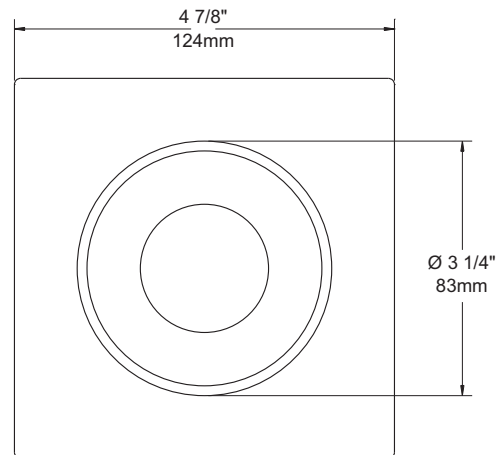
ISMR2000E37
ISMR2000M37

42W MAX

IT2000CE
IT2000CM
NW2000CE

50W MAX

ISMR2000M
IT2000E
IT2000M
NW2000CM
NW2000E
NW2000LM



TRIM FINISHES

-01 WHITE	-04BR BRUSHED CHROME	-08 ANTIQUE SILVER
-02 BLACK	-05 ARCHITECTURAL BRONZE	-11 MATTE WHITE
-03 24K GOLD	-06 ANTIQUE COPPER	-12BR BRUSHED NICKEL
-04 CHROME	-07 ANTIQUE BRASS	-13 SATIN NICKEL
		-14 ALMOND

Unless otherwise indicated, trims are for interior use only. For exterior use and up to wet conditions, **MARINE GRADE** treatment is recommended. Available for finishes -01, -02, -05, -06, -11 and -14 only.



Project _____

Representative _____

CONTRAST
L I G H T I N G

1009, rue du Parc Industriel, Saint-Jean-Chrysostome, Qc, CAN G6Z 1C5 Tel.: 1-888-839-4624 Fax : 1-877-839-7057
info@contrastlighting.com
www.contrastlighting.com

JULY 2010