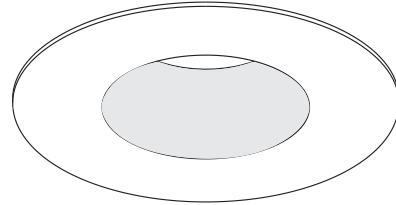


SPECIFICATION SHEET

4" 2000 SERIES

R2030V

REGRESSED TRIM WITH GREEN FROSTED SMOOTH GLASS REFLECTOR (SM)



YES

Damp Location



MR16

35-50W



Reflector

Three available glass reflector colors : Natural, Blue and Green
For a Natural glass reflector : R2000V-XXSM
For a Blue glass reflector : R2010V-XXSM
For a Green glass reflector : R2030V-XXSM



Insulated ceiling housing

ISMR2000M, ISMR2000E35, ISMR2000M35,
ISMR2000E37, ISMR2000M37



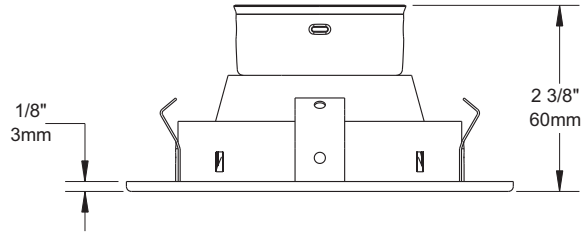
New construction housing

NW2000CM, NW2000E, NW2000LM



Remodel housing

IT2000M, IT2000E



COMPATIBLE HOUSINGS

50W MR16

ISMR2000M
IT2000M
IT2000E
NW2000CM,
NW2000E
NW2000LM

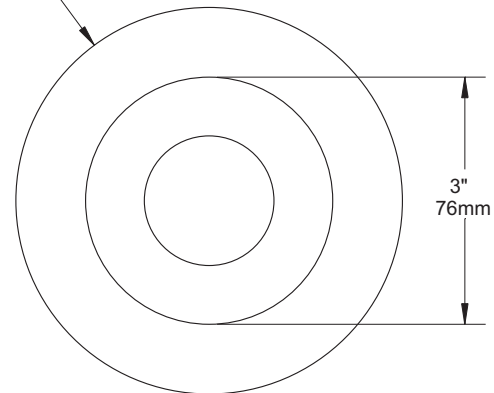
37W MR16

ISMR2000E37
ISMR2000M37

35W MR16

ISMR2000E35
ISMR2000M35

4 7/8"
124mm



TRIM FINISHES

-01 WHITE	-04BR BRUSHED CHROME	-08 ANTIQUE SILVER
-02 BLACK	-05 ARCHITECTURAL BRONZE	-11 MATTE WHITE
-03 24K GOLD	-06 ANTIQUE COPPER	-12BR BRUSHED NICKEL
-04 CHROME	-07 ANTIQUE BRASS	-13 SATIN NICKEL
		-14 ALMOND

Unless otherwise indicated, trims are for interior use only. For exterior use and up to wet conditions, **MARINE GRADE** treatment is recommended. Available for finishes -01, -02, -05, -06, -11 and -14 only.



Project _____

Representative _____

CONTRAST
L I G H T I N G

1009, rue du Parc Industriel, Saint-Jean-Chrysostome, Qc, CAN G6Z 1C5 Tel.: 1-888-839-4624 Fax : 1-877-839-7057
info@contrastlighting.com
www.contrastlighting.com

JULY 2010