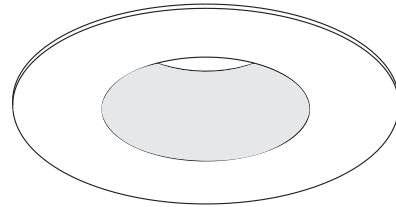


# SPECIFICATION SHEET

4" 2000 SERIES

# R2010V

REGRESSED TRIM WITH BLUE FROSTED SMOOTH GLASS REFLECTOR (SM)



YES

Damp Location



MR16

35-50W



Reflector

Three available glass reflector colors : Natural, Blue and Green  
For a Natural glass reflector : R2000V-XXSM  
For a Blue glass reflector : R2010V-XXSM  
For a Green glass reflector : R2030V-XXSM



Insulated ceiling housing

ISMR2000M, ISMR2000E35, ISMR2000M35,  
ISMR2000E37, ISMR2000M37



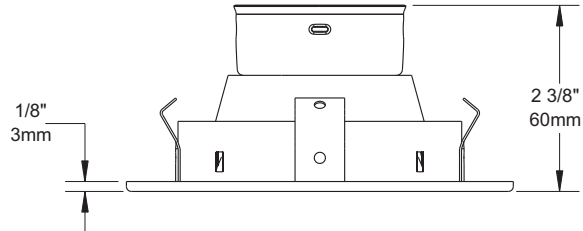
New construction housing

NW2000CM, NW2000E, NW2000LM



Remodel housing

IT2000M, IT2000E



## COMPATIBLE HOUSINGS

### 50W MR16

ISMR2000M  
IT2000M  
IT2000E  
NW2000CM  
NW2000E  
NW2000LM

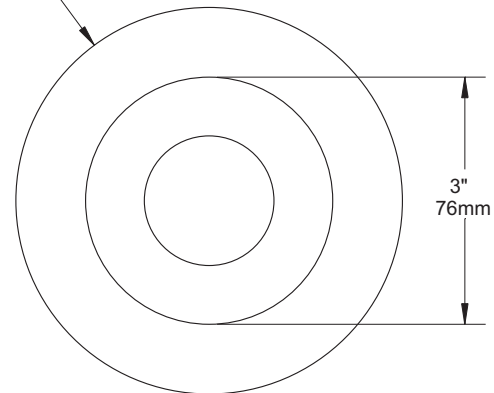
### 37W MR16

ISMR2000E37  
ISMR2000M37

### 35W MR16

ISMR2000E35  
ISMR2000M35

4 7/8"  
124mm



## TRIM FINISHES

-01 WHITE	-04BR BRUSHED CHROME	-08 ANTIQUE SILVER
-02 BLACK	-05 ARCHITECTURAL BRONZE	-11 MATTE WHITE
-03 24K GOLD	-06 ANTIQUE COPPER	-12BR BRUSHED NICKEL
-04 CHROME	-07 ANTIQUE BRASS	-13 SATIN NICKEL
		-14 ALMOND

Unless otherwise indicated, trims are for interior use only. For exterior use and up to wet conditions, **MARINE GRADE** treatment is recommended. Available for finishes -01, -02, -05, -06, -11 and -14 only.



Project \_\_\_\_\_

Representative \_\_\_\_\_

**CONTRAST**  
L I G H T I N G

1009, rue du Parc Industriel, Saint-Jean-Chrysostome, Qc, CAN G6Z 1C5 Tel.: 1-888-839-4624 Fax : 1-877-839-7057  
info@contrastlighting.com  
www.contrastlighting.com

JULY 2010