

Product

PCFR1

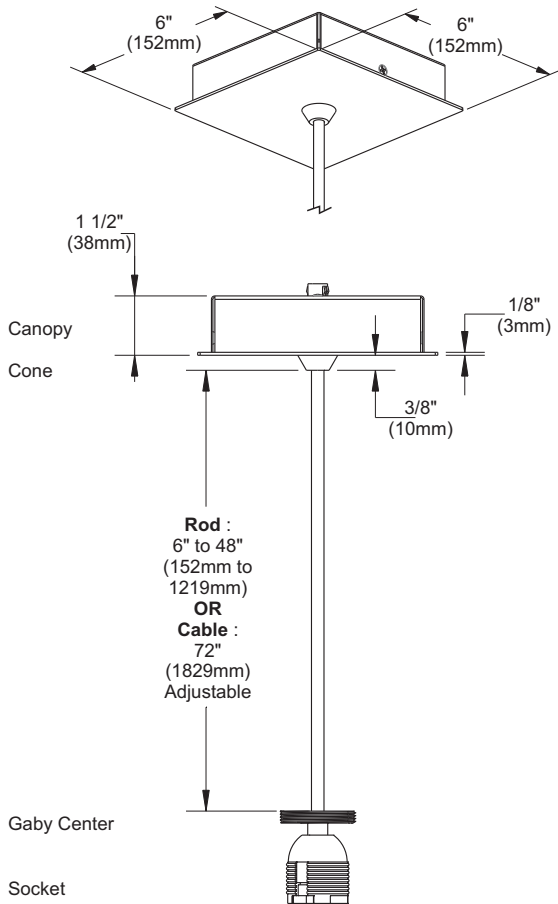
Designation

Compact Fluorescent Extension element for Gaby Shades

Compact fluorescent extension element, suspended on rod or cable. Universal electronic ballast 120 to 277 Volts. Available for Double Twin Tube (DTT) bulb from 13W to 26W, and for Triple Twin Tube (TTT) bulb from 18W to 42W. Canopy (and rod, if applicable) is available in 8 durable finishes. The cables are offered in two colors.

The choice of the bulb determines the minimum length of the glass shade, so it does not exceed the threshold of the shade.

- 13W DTT bulb : Minimum glass shade length : 10"
- 18W DTT bulb : Minimum glass shade length : 10"
- 26W DTT bulb : Minimum glass shade length : 11"
- 18W TTT bulb : Minimum glass shade length : 10"
- 26W TTT bulb : Minimum glass shade length : 10"
- 32W TTT bulb : Minimum glass shade length : 10"
- 42W TTT bulb : Minimum glass shade length : 11"



Code Example :

PCFR102CCTC3A13

PCFR1

Square Compact Fluorescent Canopy

02

Canopy (and rod) Finishes

- 01 White
- 02 Black
- 04BR Brushed Chrome
- 05 Bronze
- 11 Matte White
- 12BR Brushed Nickel
- 13 Satin Nickel
- 14 Almond

CC

Suspension type Choices

- 06 6" (152mm) Rod
- 12 12" (305mm) Rod
- 18 18" (457mm) Rod
- 24 24" (610mm) Rod
- 36 36" (914mm) Rod
- 48 48" (1219mm) Rod
- CC Clear Cable
- BK Black Cable

The rod matches the canopy finish.
The cables have a 72" (1829mm) standard length and are field adjustable.

TC

Gaby shades Holder

There are no other support types available with the Compact Fluorescent Canopies.

3A

Fluorescent Bulb

13

Bulb Power

- 13 13W DTT G24q-1
- 18 18W DTT G24q-2
- 18 18W TTT GX24q-2
- 42 26W DTT G24q-3
- 26W TTT GX24q-3
- 32W TTT GX24q-3
- 42W TTT GX24q-4