

ADJUSTABLE MOUNTING PLATE

P2575N / P2675N
P2000N / P7000N
P2550N / P3000N
P4000N
P5000N

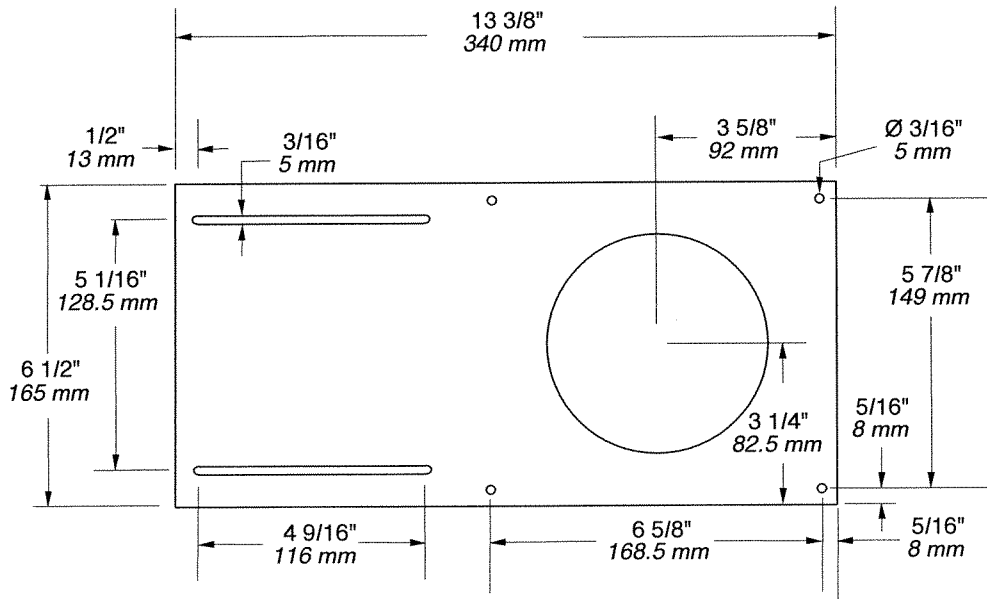
HOLE



OD CUT

P2575N / P2675N	Ø 4 9/16" Ø 116 mm	Ø 4 13/16" Ø 121 mm	For CA2575, CA2675, F2575B, F2575R, F2675 SERIES
P2000N / P7000N	Ø 4 3/16" Ø 106 mm	Ø 4 7/16" Ø 111 mm	For IT2000, IT7000, CA2000 SERIES & F2000 MODEL
P2550N / P3000N	Ø 3 5/8" Ø 89 mm	Ø 3 11/16" Ø 94 mm	For IT3000, CA2550, CA3600 SERIES
P4000N	Ø 3 11/64" Ø 80,5 mm	Ø 3 3/8" Ø 85 mm	For IT4000 SERIES
P5000N	Ø 2 19/32" Ø 66 mm	Ø 2 13/16" Ø 71 mm	For IT5000 SERIES

NOTES: *For ceiling without insulation*
Below ceiling access



Representative: _____