

ADJUSTABLE MOUNTING PLATE

P2575 / P2675
 P2000 / P7000
 P2550 / P3000
 P4000
 P5000

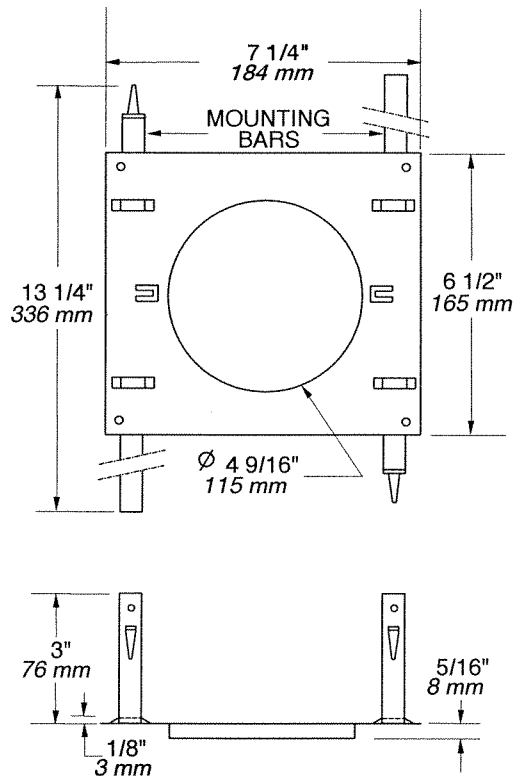
HOLE



OD CUT

P2575 / P2675	Ø 4 10/16"	Ø 117 mm	Ø 4 13/16"	Ø 121 mm	For CA2575, CA2675, F2575, F2675 SERIES
P2000 / P7000	Ø 4 1/4"	Ø 108 mm	Ø 4 7/16"	Ø 112 mm	For IT2000, IT7000, CA2000 SERIES & F2000 MODEL
P2550 / P3000	Ø 3 5/8"	Ø 92 mm	Ø 3 13/16"	Ø 96 mm	For CA2550, CA3600 & IT3000 SERIES
P4000	Ø 3 3/16"	Ø 81 mm	Ø 3 3/8"	Ø 85 mm	For IT4000 SERIES
P5000	Ø 2 5/8"	Ø 66 mm	Ø 2 3/4"	Ø 70 mm	For IT5000 SERIES

NOTES: *For ceiling without insulation*
Below ceiling access



Representative: _____