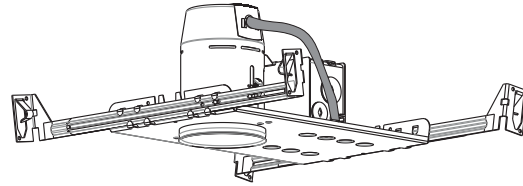


SPECIFICATION SHEET

3 1/2" 3000 SERIES

NW3000LT

LONG NEW CONSTRUCTION HOUSING
FOR GU/GZ-10 BULB



YES

Damp Location



NO

MR16



GU/GZ-10 50W MAX.

GU/GZ-10



Voltage

120 VOLTS (CAN & USA.)



Thermal Protector

T°C 125°C No 032



OD Cut

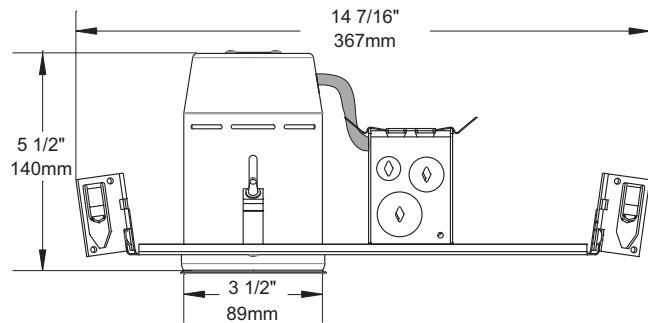
3 5/8" (92mm)



UL US LISTED

Overall Dimensions :
Length : 14 1/2" (368mm)
Width : 10" (254mm)
Height : 5 1/2" (140mm)

Dimensions



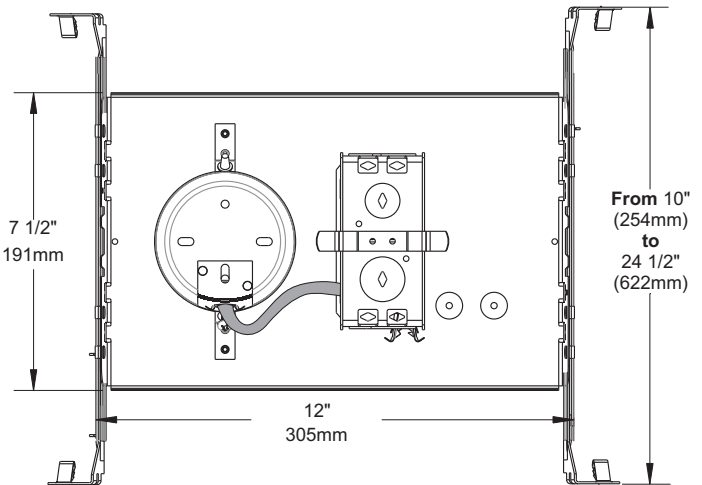
COMPATIBLE TRIMS

GU/GZ-10 50W MAX

R3151	S3151	T3145	T3400W	T3700
R3151K	S3400	T3145DSM	T3450	T3800
R3151W	S3400D	T3145DST	T3450K	T3850
R3152	S3450	T3145W	T3450W	T3900
R3601	S3450D	T3152	T3500	
R3601W	S3500	T3165	T3500W	
R3602	S3500D	T3185	T3600	
R3651	S3601	T3200	T3602	
R3651W	S3651	T3250	T3650	
R3652	T3000	T3260	T3652	
S3145	T3100	T3300		
S3145D	T3125	T3400		

TECHNICAL SPECIFICATIONS

0,051" (1,3mm) thickness Galvanized Steel.
Below-ceiling accessible.
Hooks PAT#CAN 2,088,648 and #USA 5,377,088.
Takes up to 7/8" thick ceiling.
Perfect fit into ceiling.
No light leak.
Each part of the case should be at 3" (76mm) MINIMUM from insulation (if applicable).



MADE IN CANADA

UL US LISTED
Certified UL Standards

Your representative : _____

Your project : _____

CONTRAST
LIGHTING

1009, rue du Parc Industriel, Saint-Jean-Chrysostome, Qc, CAN, G6Z1C5 Tel.: 1-888-839-4624 Fax : 1-877-839-7057
info@contrastlighting.com
www.contrastlighting.com

MAY 2010