

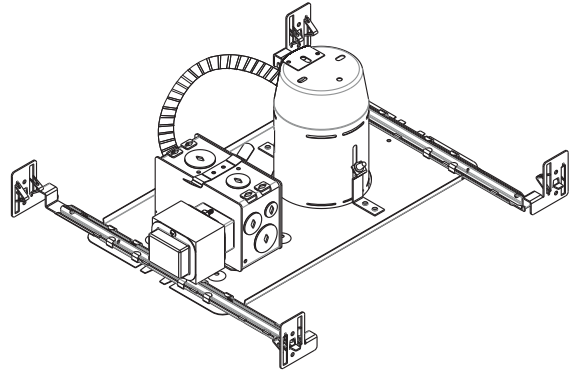
# SPECIFICATION SHEET

3 1/2" 3000 SERIES

# NW3000LM

NW3000LM2  
NW3000LM3

LONG NEW CONSTRUCTION HOUSING  
WITH MAGNETIC TRANSFORMER



YES

Damp Location



MR16 50W MAX

MR16



Voltage

NW3000LM : 120 VOLTS (CAN & USA)  
NW3000LM2 : 277 VOLTS (USA)  
NW3000LM3 : 347 VOLTS (CANADA)



Magnetic Transformer

EC50M 50 VA 120V / 12V  
EC50M2 50 VA 277V / 12V  
EC50M3 50 VA 347V / 12V



Thermal Protector

T°C 125°C No 031



OD Cut

3 3/4" (96mm)



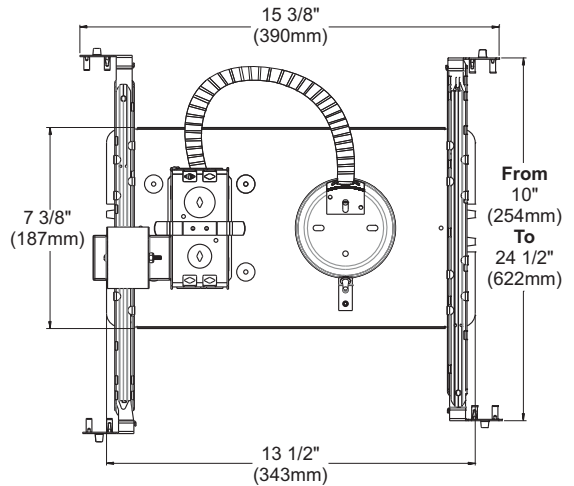
UL US LISTED

E174023



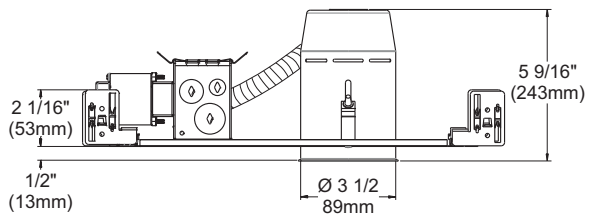
Dimensions

Overall Dimensions :  
Length : 15 3/8" (391mm)  
Width : 10" (254mm)  
Height : 5 9/16" (142mm)



## COMPATIBLE TRIMS

42W MR16		50W MR16			
S3145D	R3151	R3651	T3125	T3260	T3500D SM
S3400D	R3151K	R3651W	T3145	T3300	T3500D ST
S3450D	R3151W	R3652	T3145DG	T3400	T3500W
S3500D	R3151WK	S3145	T3145D SM	T3400D SM	T3600
	R3152	S3151	T3145D ST	T3400D ST	T3602
	R3171	S3400	T3145W	T3400W	T3650
	R3450D	S3450	T3152	T3450	T3652
	R3470	S3500	T3165	T3450D SM	T3671
	R3470D	S3601	T3185	T3450D ST	T3700
	R3601	S3651	T3200	T3450K	T3800
	R3601W	T3000	T3250	T3450W	T3850
	R3602	T3100	T3250DG	T3500	T3900



## TECHNICAL SPECIFICATIONS

0,051" (1,3mm) thickness Galvanized Steel.  
Below-ceiling accessible.  
Hooks PAT#CAN 2,088,648 and #USA 5,377,088.  
Takes up to 7/8" thick ceiling.  
Perfect fit into ceiling.  
No light leak.



Your representative : \_\_\_\_\_

Your project : \_\_\_\_\_

**CONTRAST**  
LIGHTING

1009, rue du Parc Industriel, Saint-Jean-Chrysostome, Qc, CAN, G6Z1C5 Tel.: 1-888-839-4624 Fax : 1-877-839-7057  
info@contrastlighting.com  
www.contrastlighting.com

NOVEMBER 2010