


**SPECIFICATION SHEET**


**PROJECT No:**

**"NON-IC" TYPE HOUSING**

**NW3000CE** 120/12V

 yes


VOLTAGE 120 VOLTS


 12 V 35W max.

 \_\_\_\_\_

 \_\_\_\_\_

 \_\_\_\_\_

 **Electronic Transformer**  
**120V / 12V**

 **T°C 130°C No 033**


Double top \_\_\_\_\_

UL number : **E 174023**

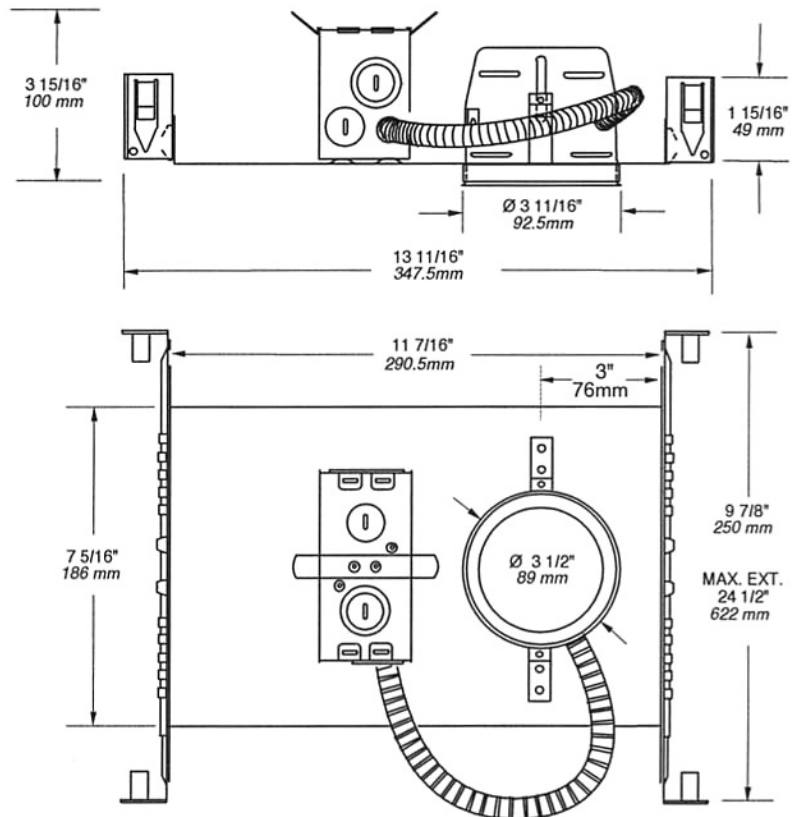
**E** Electronic **M** Magnetic **C** Short **L** Long

**AVAILABLE TRIMS**

T3000, T3100, T3200, T3250, T3260, T3300

 **OD Cut : 3 3/4" (95 mm)**

NOTES:  
For ceiling without insulation  
Below ceiling access



**PROJECT**

Your Project: \_\_\_\_\_  
 \_\_\_\_\_  
 \_\_\_\_\_

Representative: \_\_\_\_\_