

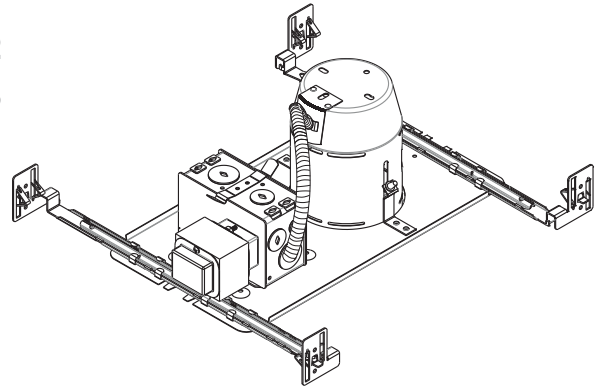
SPECIFICATION SHEET

4" 2000 SERIES

NW2000LM

NW2000LM2
NW2000LM3

LONG NEW CONSTRUCTION HOUSING
WITH MAGNETIC TRANSFORMER



YES

Damp Location



MR16 75W MAX

MR16



Voltage

NW2000LM : 120 VOLTS (CAN & USA.)
NW2000LM2 : 277 VOLTS (USA)
NW2000LM3 : 347 VOLTS (CANADA)



Voltage

Magnetic Transformer
EC50M 50 VA 120V / 12V
EC50M2 50 VA 277V / 12V
EC50M3 50 VA 347V / 12V



Thermal Protector

T°C 125°C No 031



OD Cut

4 1/4" (108mm)



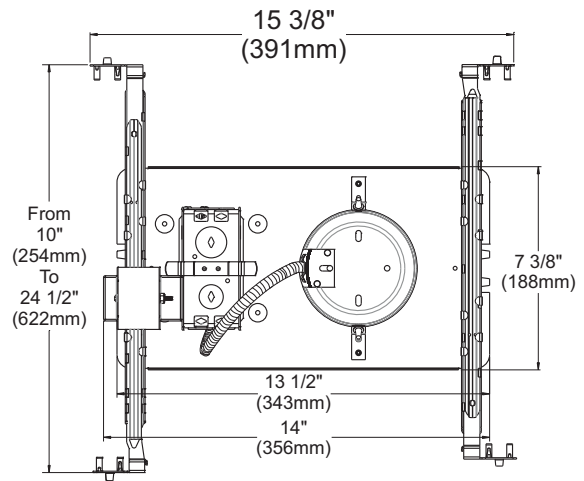
UL LISTED

E174023



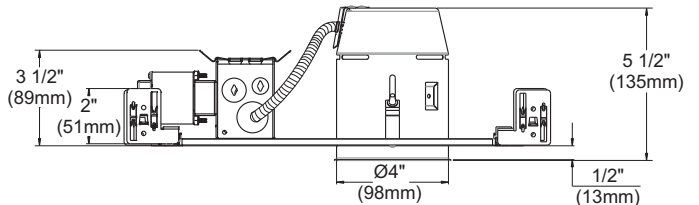
Dimensions

Overall Dimensions :
Length : 14" (356mm) with bars : 15 3/8" (390mm)
Width : 7 3/8" (187mm) with bars : min 10" (254mm)
Height : 5 1/2" (140mm)



COMPATIBLE TRIMS

75W MR16	50W MR16
R2000	R2000VSM/ST R2100VT S2000
R2450VT	R2010VSM/ST R2100VSM/ST S2051
T2000	R2030VSM/ST R2110VSM/ST S2100
T2000V (T2010V)	R2020 R2130VSM/ST T2000VL (T2010VL)
	R2051 R2120 T2000VS (T2010VS)
	R2100 R2450VT T2000VLS (T2010VLS)



TECHNICAL SPECIFICATIONS

0,051" (1,3mm) thickness Galvanized Steel.
Below-ceiling accessible.
Hooks PAT#CAN 2,088,648 and #USA 5,377,088.
Takes up to 7/8" thick ceiling.
Perfect fit into ceiling.
No light leak.



Your representative : _____

Your project : _____

CONTRAST
LIGHTING

1009, rue du Parc Industriel, Saint-Jean-Chrysostome, Qc, CAN, G6Z1C5 Tel.: 1-888-839-4624 Fax : 1-877-839-7057
info@contrastlighting.com
www.contrastlighting.com

NOVEMBER 2010