


**SPECIFICATION SHEET**

**PROJECT No:**


**"NON-IC" TYPE HOUSING**

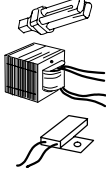
**NW2000CM** 120/12V  
**NW2000CM2** 277/12V  
**NW2000CM3** 347/12V

 **yes**

**VOLTAGE** 120, 277 or 347 VOLTS

**12 V 50W max.**



 **EC 50M 50 VA 120V / 12V**  
**EC 50M2 50 VA 277V / 12V**  
**EC 50M3 50 VA 347V / 12V**

**T°C 120°C No 031**

Double top

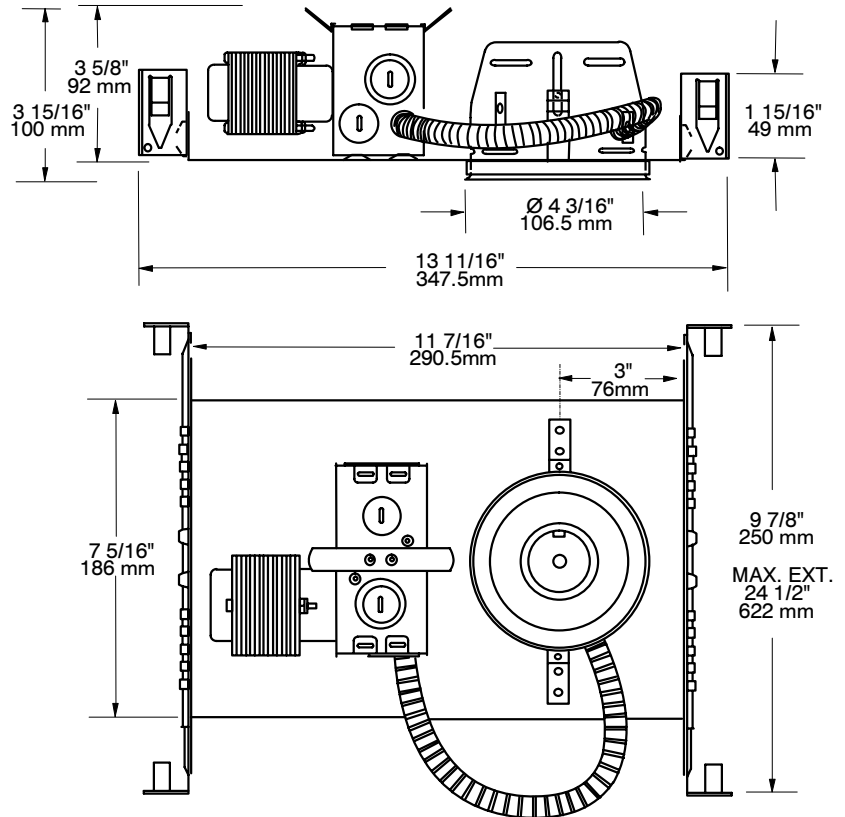
UL number : **E 174023**

**E** Electronic **M** Magnetic **C** Short **L** Long

**TRIMS AVAILABLE**  
 T2000, T2000V, T2010V, R2000  
 T2030V, T2000VL, T2010VL, T2030VL

 **OD Cut : 4 1/4" (107 mm)**

NOTES:  
 For ceiling without insulation  
 Below ceiling access  
 Magnetic transformer available in 277/12V and 347/12V



**PROJECT**

Your Project: \_\_\_\_\_

\_\_\_\_\_

\_\_\_\_\_

Representative: \_\_\_\_\_