




"NON-IC" TYPE HOUSING
NW2000CAS

-  **yes**

- VOLTAGE** **120 VOLTS**

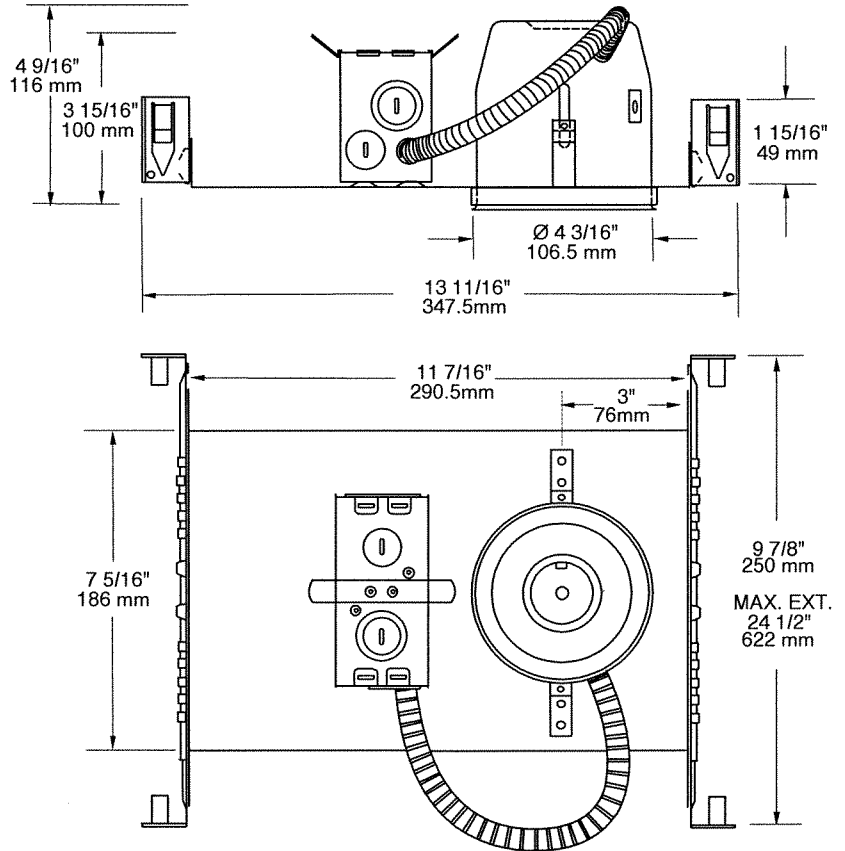
-  **PAR20 50W max.**


-  **T°C 105°C No 027**

- Double top**

- UL number :** **E 174023**

- E** Electronic **M** Magnetic **C** Short **L** Long



 **OD Cut : 4 1/4" (107 mm)**

NOTES:
For ceiling without insulation
Below ceiling access



PROJECT

Your Project: _____

Representative: _____