






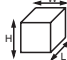


SPECIFICATION SHEET

3" 4000 SERIES

ISMR4000M20

INSULATED CEILING HOUSING WITH MAGNETIC TRANSFORMER

	YES
Damp Location	
	MR16 20W MAX
MR16	
	Magnetic transformer EC20M 20 VA 120V / 12V EC20M2 20 VA 277V / 12V EC20M3 20 VA 347V / 12V
	ISMR4000M20 : 120 VOLTS (CAN & USA) ISMR4000M202 : 277 VOLTS (USA ONLY) ISMR4000M203 : 347 VOLTS (CAN ONLY)
Voltage	
	T°C 110°C No 029
Thermal Protector	
	3 1/4" (83mm)
OD Cut	
	E174023
UL LISTED	
	Overall Dimensions : Length : 15 1/4" (387mm) Width : 8 1/4" (210mm) Height : 7 7/8" (200mm)
Dimensions	

COMPATIBLE TRIMS

MR16 20W

T4000
T4200
T4200V
T4210V
T4300

OPTIONS

CHICAGO PLENUM

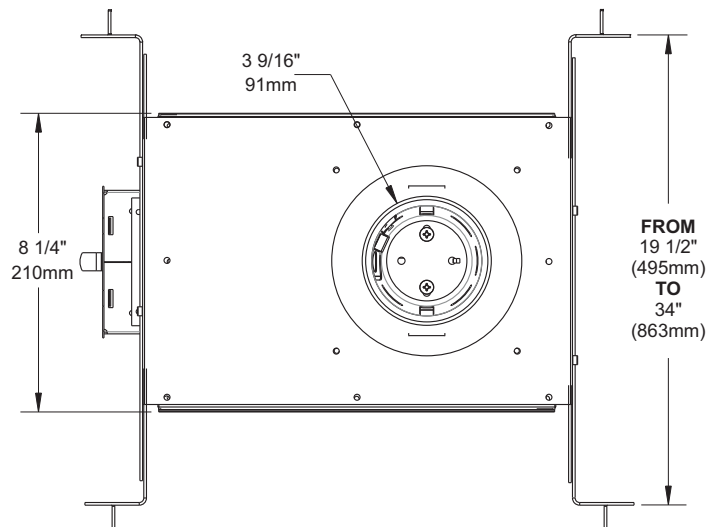
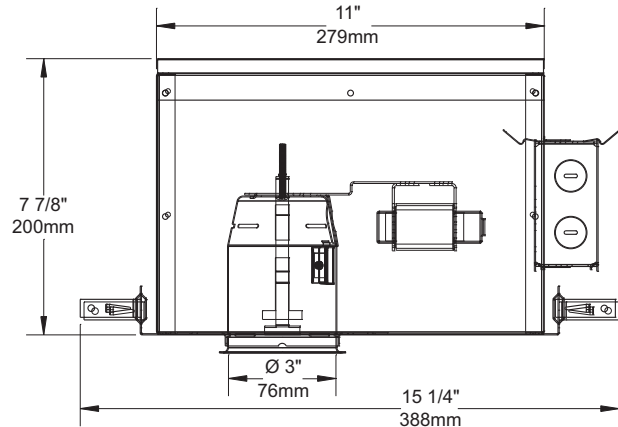
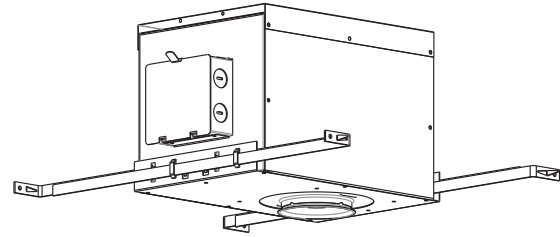
Requirement for all lighting fixtures installed in the city of Chicago. Complies for ceiling air Plenum.
Code : ISMR4000M20P

TITLE 24

Complies with California State Title 24 Energy Code.
Code : ISMR4000M20W

TECHNICAL SPECIFICATIONS

0,021" (0,53mm) thickness Galvanized Steel.
Below-ceiling accessible.
Hooks PAT#CAN 2,088,648 and #USA 5,377,088.
Takes up to 7/8" thick ceiling.
Perfect fit into ceiling.
No light leak.



Your representative : _____

Your project : _____