

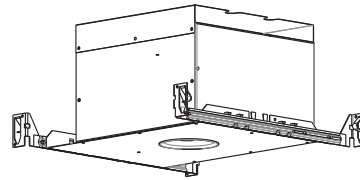
SPECIFICATION SHEET








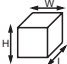
3" 4000 SERIES

ISMR4000M

ISMR4000M2
ISMR4000M3

INSULATED CEILING HOUSING WITH MAGNETIC TRANSFORMER



	YES
Damp Location	
	MR16 20W MAX
MR16	
	Magnetic Transformer 120V / 12V 277V / 12V 347V / 12V
	Voltage ISMR4000M : 120 VOLTS (CAN & USA) ISMR4000M2 : 277 VOLTS (USA) ISMR4000M3 : 347 VOLTS (CAN)
	T°C 110°C No 029
Thermal Protector	
	3 1/4" (83mm)
OD Cut	
	E174023
LISTED	
	Overall Dimensions : Length : 15 1/2" (394mm) Width : 10" (254mm) Height : 7 1/8" (180mm)
Dimensions	

COMPATIBLE TRIMS

MR16 20W max

T4000	T4300
T4125	T4450
T4145	T4650
T4200	S4151
T4200V	S4450

OPTIONS

CHICAGO PLENUM

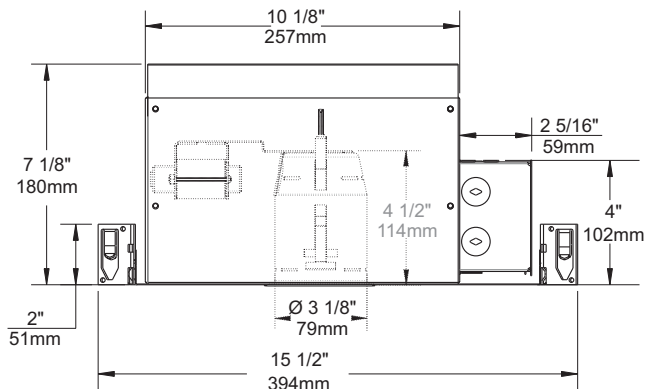
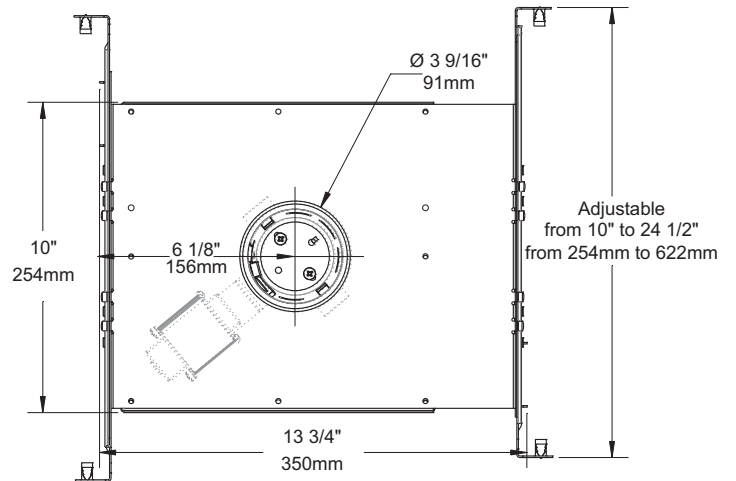
Requirement for all lighting fixtures installed in the city of Chicago. Comply for ceiling air Plenum.
Code : ISMR4000MP

TITLE 24

Comply with California State Title 24 Energy Code.
Code : ISMR4000MW

TECHNICAL SPECIFICATIONS

0,021" (0,53mm) thickness Galvanized Steel.
Below-ceiling accessible.
Hooks PAT#CAN 2,088,648 and #USA 5,377,088.
Takes up to 7/8" thick ceiling.
Perfect fit into ceiling.
No light leak.



Your representative : _____

Your project : _____

CONTRAST
LIGHTING

1009, rue du Parc Industriel, Saint-Jean-Chrysostome, Qc, CAN, G6Z1C5 Tel.: 1-888-839-4624 Fax : 1-877-839-7057
info@contrastlighting.com
www.contrastlighting.com

APRIL 2010