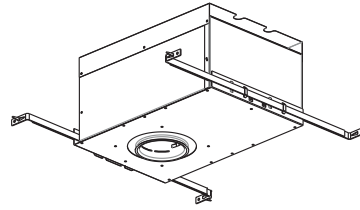









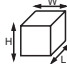
SPECIFICATION SHEET

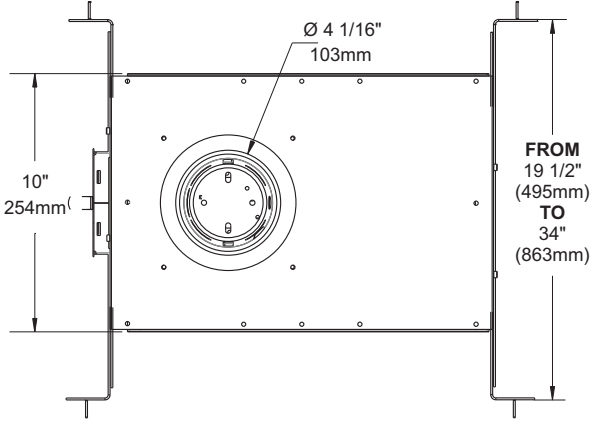
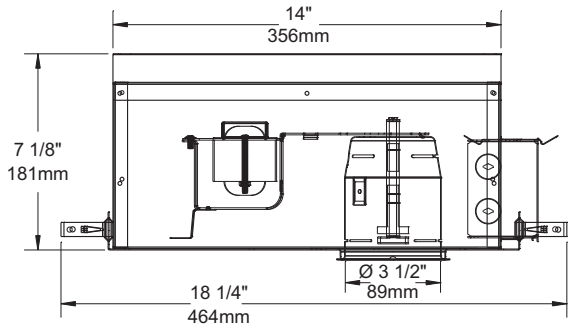
3 1/2" 3000 SERIES

ISMR3000M35

INSULATED CEILING HOUSING WITH MAGNETIC TRANSFORMER



| | |
|--|--|
|  | YES |
| Damp Location | |
|  | MR16 35W MAX |
| MR16 | |
|  | Magnetic transformer EC50M 50 VA 120V / 12V EC50M2 50 VA 277V / 12V EC50M3 50 VA 347V / 12V |
|  | ISMR3000M35 : 120 VOLTS (CAN & USA) ISMR3000M352 : 277 VOLTS (USA ONLY) ISMR3000M353 : 347 VOLTS (CAN ONLY) |
| Voltage | |
|  | T°C 125°C No 032 |
| Thermal Protector | |
|  | 3 3/4" (95mm) |
| OD Cut | |
|  | E174023 |
| UL LISTED | |
|  | Overall Dimensions : Length : 18 1/4" (464mm) Width : 10" (254mm) Height : 7 1/8" (181mm) |
| Dimensions | |



COMPATIBLE TRIMS

MR16 35W

| | | | |
|--------|--------|--------|--------|
| R3151 | S3400 | T3152 | T3500 |
| R3151W | S3450 | T3200 | T3500D |
| R3152 | S3500 | T3250 | T3500W |
| R3601 | S3601 | T3260 | T3602 |
| R3601W | S3651 | T3300 | T3652 |
| R3602 | T3000 | T3400 | |
| R3651 | T3100 | T3400D | |
| R3651W | T3125 | T3400W | |
| R3652 | T3145 | T3450 | |
| S3145 | T3145D | T3450D | |
| S3151 | T3145W | T3450W | |

OPTIONS

CHICAGO PLENUM
Requirement for all lighting fixtures installed in the city of Chicago. Complies for ceiling air Plenum.
Code : ISMR3000M35P

TITLE 24
Complies with California State Title 24 Energy Code.
Code : ISMR3000M35W

TECHNICAL SPECIFICATIONS

0,021" (0,53mm) thickness Galvanized Steel.
Below-ceiling accessible.
Hooks PAT#CAN 2,088,648 and #USA 5,377,088.
Takes up to 7/8" thick ceiling.
Perfect fit into ceiling.
No light leak.



Your representative : _____

Your project : _____