



**"IC" TYPE HOUSING**  
**ISMR3000E20**

-  **yes**


---

- Voltage** **120 VOLTS**


---

-  **12 V 20W max.**


---

- 


---

- 


---

- 

---

-  **ELEC. CONV. 120V/12V**

---

-  **T°C 95°C No 026**

---

- Double top** **no**

---


- UL number** **E 174023**

---

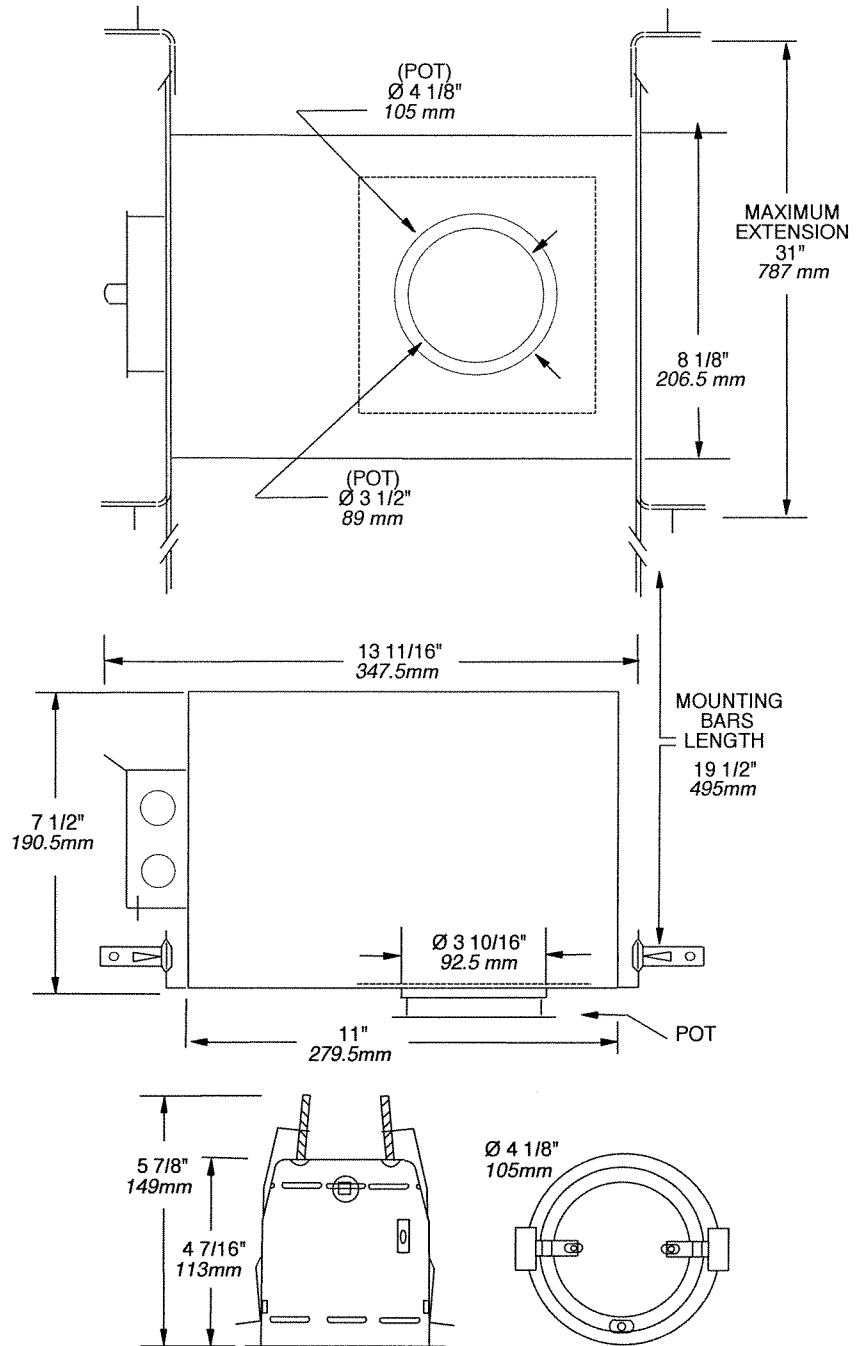
- E Electronic M Magnetic C Short L Long**

---

- AIR TIGHT HOUSING**

 **OD Cut : 3 3/4" (95 mm)**

NOTES: For ceiling with insulation  
Below ceiling access



**PROJECT**

Your Project: \_\_\_\_\_

\_\_\_\_\_

\_\_\_\_\_

Representative: \_\_\_\_\_