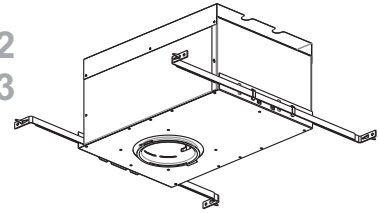


SPECIFICATION SHEET



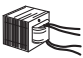




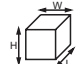
4" 2000 SERIES

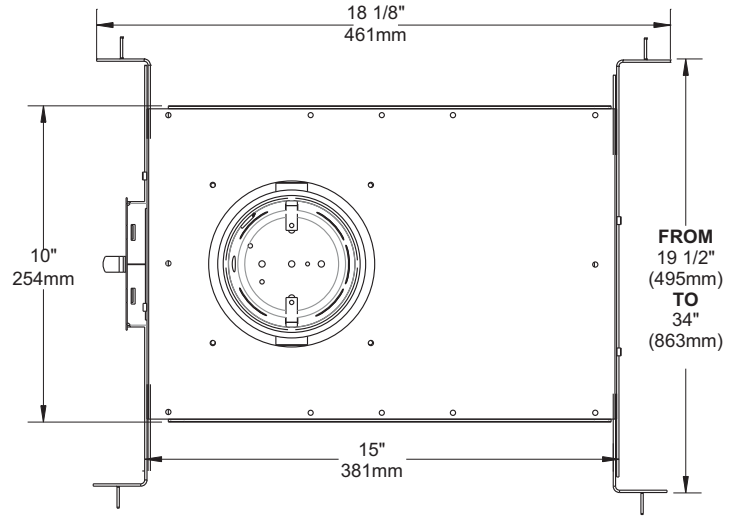
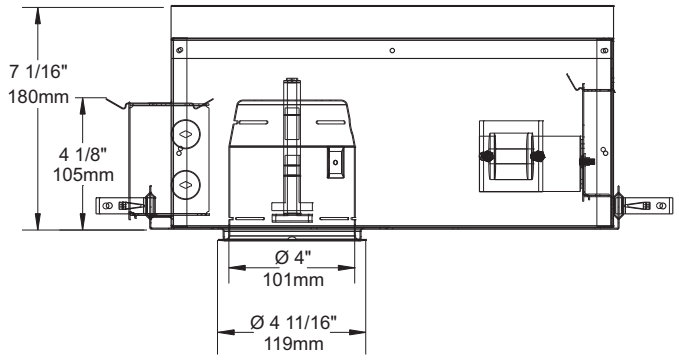
ISMR2000M35

ISMR2000M352
ISMR2000M353



INSULATED CEILING HOUSING WITH MAGNETIC TRANSFORMER

	YES
Damp Location	
	MR16 35W MAX
MR16	
	Magnetic Transformer EC50M 50 VA 120V / 12V EC50M2 50 VA 277V / 12V EC50M3 50 VA 347V / 12V
	ISMR2000M35 : 120 VOLTS (CAN & USA) ISMR2000M352 : 277 VOLTS (USA ONLY) ISMR2000M353 : 347 VOLTS (CAN ONLY)
Voltage	
	T°C 120°C No 031
Thermal Protector	
	4 1/4" (108mm)
OD Cut	
	E174023
UL LISTED	
	Overall Dimensions : Length : 18 1/2" (470mm) Width : 10" (254mm) Height : 7 1/2" (191mm)
Dimensions	



COMPATIBLE TRIMS

MR16 35W

R2000	T2000
R2000VSM	T2000V
R2000VST	T2010V
R2010VSM	T2000VL
R2010VST	T2010VL
R2450VT	

OPTIONS

CHICAGO PLENUM

Requirement for all lighting fixtures installed in the city of Chicago. Complies for ceiling air Plenum. Code : ISMR2000M35P

TITLE 24

Complies with California State Title 24 Energy Code. Code : ISMR2000M35W

TECHNICAL SPECIFICATIONS

0,021" (0,53mm) thickness Galvanized Steel.
Below-ceiling accessible.
Hooks PAT#CAN 2,088,648 and #USA 5,377,088.
Takes up to 7/8" thick ceiling.
Perfect fit into ceiling.
No light leak.



Your representative : _____

Your project : _____