





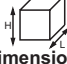


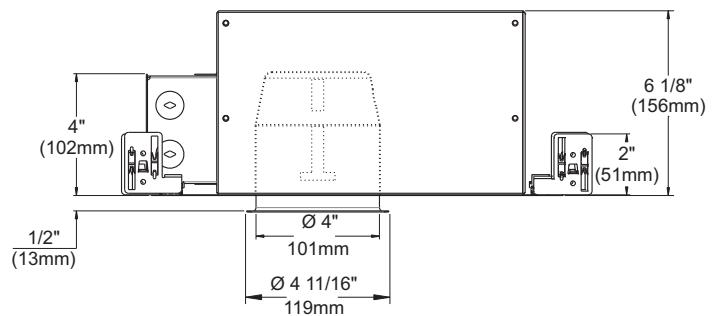
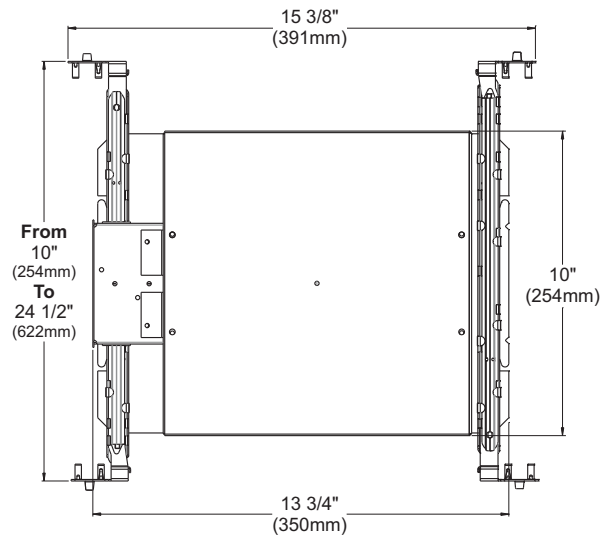
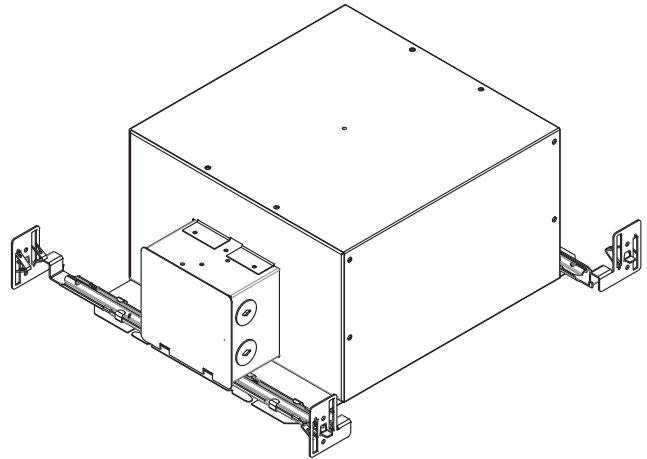
# SPECIFICATION SHEET

4" 2000 SERIES

# ISCA2000

## INSULATED HOUSING

	<b>YES</b>
<b>Damp Location</b>	
	<b>PAR20 50W MAX</b>
<b>PAR</b>	
	<b>120 VOLTS (CAN &amp; USA.)</b>
<b>Voltage</b>	
	<b>T°C 100°C No 027</b>
<b>Thermal Protector</b>	
	<b>4 1/4" (108mm)</b>
<b>OD Cut</b>	
	<b>E174023</b>
<b>UL LISTED</b>	
	<b>Overall Dimensions :</b> Length : 13 3/4" (350mm) with bars:15 3/8" (391mm) Width : 10" (254mm) Height : 6 1/8" (156mm)
<b>Dimensions</b>	



## COMPATIBLE TRIMS

50W PAR20		35W PAR20	
A2000	A2020	A2400S	A2010VS
A2000V	A2100	A2401S	A2000VLS
A2010V	A2120	A2450S	A2010VLS
A2000VL	A2100VT	A2451S	
A2010VL	A2450VT	A2000VS	

## OPTIONS

### CHICAGO PLENUM

Requirement for all lighting fixtures installed in the city of Chicago. Complies for ceiling air Plenum. Code : ISCA2000P

### TITLE 24

Complies with California State Title 24 Energy Code. Code : ISCA2000W

## TECHNICAL SPECIFICATIONS

0,021" (0,53mm) thickness Galvanized Steel.  
Below-ceiling accessible.  
Hooks PAT#CAN 2,088,648 and #USA 5,377,088.  
Takes up to 7/8" thick ceiling.  
Perfect fit into ceiling.  
No light leak.



Your representative : \_\_\_\_\_

Your project : \_\_\_\_\_