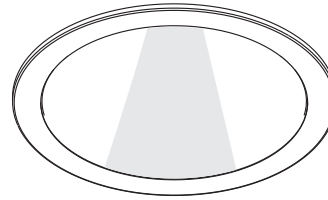
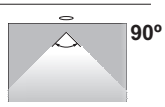


# SPECIFICATION SHEET

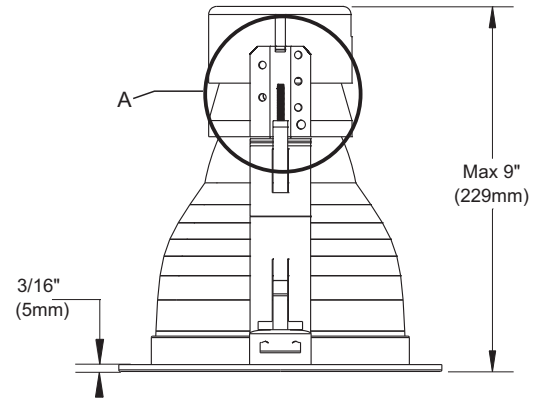
## 6" COMPACT FLUORESCENT SERIES

# FR6VOW90D



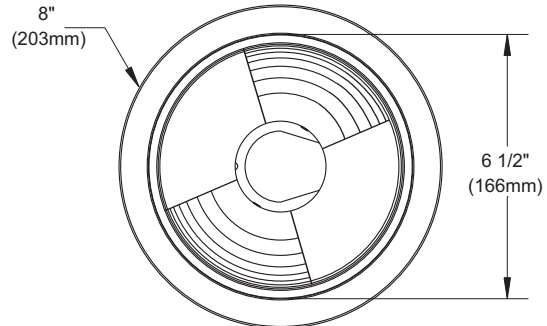
### OPEN 90° DOUBLE WALL WASH TRIM FOR VERTICAL LAMP

	<b>Damp Location</b> YES
	<b>Compact Fluorescent</b> 13W to 42W
	<b>Reflectors</b> Standard : Semi-specular low iridescence Also available : Matte iridescence free. Add a «M» after the «O» in the code. Example : FR6VOMW90D-01
	NWF6VU13, 18, 42
	F6VU13, 18, 42



### COMPATIBLE HOUSINGS

13W CF	18W CF	26W CF	32W CF	42W CF
F6VU13 NWF6VU13	F6VU18 NWF6VU18	F6VU42 NWF6VU42	F6VU42 NWF6VU42	F6VU42 NWF6VU42



**ENERGY STAR® Requirements**  
120 Volt ONLY

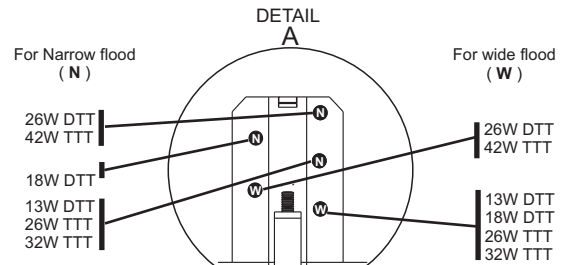
This trim meets every ENERGY STAR requirements when combined with the following housings :

F6VU13 NWF6VU13 F6VU18 NWF6VU18	F6VU42 (42W MAX) NWF6VU42 (42W MAX)
--	--

### TRIM FINISHES

- |              |                          |                      |
|--------------|--------------------------|----------------------|
| -01 WHITE    | -04BR BRUSHED CHROME     | -08 ANTIQUE SILVER   |
| -02 BLACK    | -05 ARCHITECTURAL BRONZE | -11 MATTE WHITE      |
| -03 24K GOLD | -06 ANTIQUE COPPER       | -12BR BRUSHED NICKEL |
| -04 CHROME   | -07 ANTIQUE BRASS        | -13 SATIN NICKEL     |
|              |                          | -14 ALMOND           |

Unless otherwise indicated, trims are for interior use only. For exterior use and up to wet conditions, **MARINE GRADE** treatment is recommended. Available for finishes -01, -02, -05, -06, -11 and -14 only.



**Schema for Narrow / Wide Flood Adjustment**



Project \_\_\_\_\_

Representative \_\_\_\_\_