


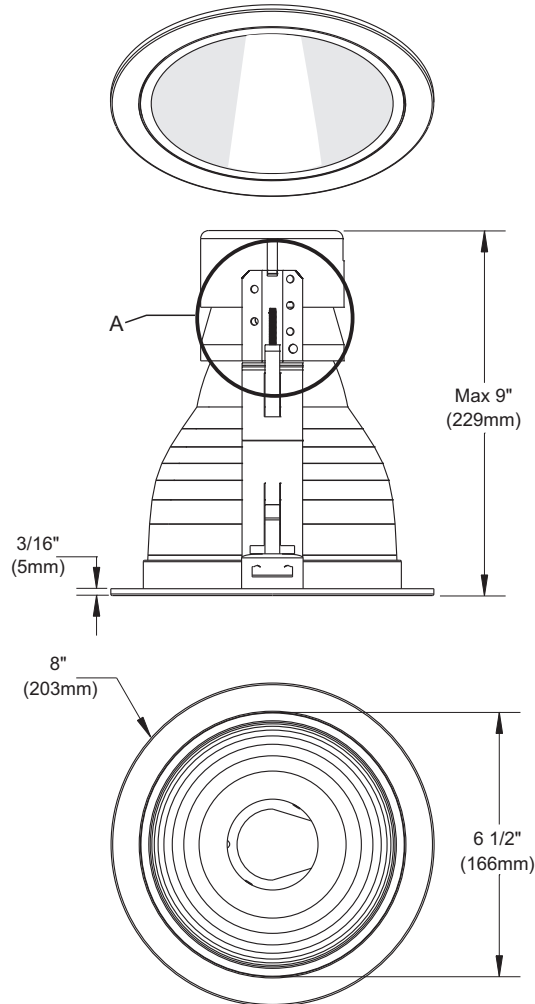
SPECIFICATION SHEET

6" COMPACT FLUORESCENT SERIES

FR6VO

OPEN REFLECTOR TRIM FOR VERTICAL LAMP

	Damp Location YES
	Compact Fluorescent 13W to 42W
	Reflectors Standard : Semi-specular low iridescence Also available : Matte iridescence free. Add a «M» after the «O» in the code. Example : FR6VOM-01
	NWF6VU13, 18, 42
	F6VU13, 18, 42



COMPATIBLE HOUSINGS

13W CF	18W CF	26W CF	32W CF	42W CF
F6VU13 NWF6VU13	F6VU18 NWF6VU18	F6VU42 NWF6VU42	F6VU42 NWF6VU42	F6VU42 NWF6VU42



ENERGY STAR® Requirements 120 Volt ONLY

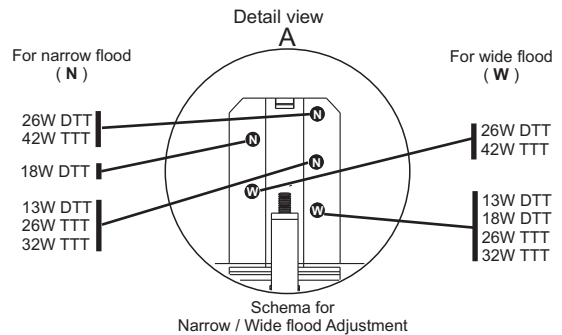
This trim meets every ENERGY STAR requirements when combined with the following housings :

F6VU13	F6VU42 (42W MAX)
NWF6VU13	NWF6VU42 (42W MAX)
F6VU18	
NWF6VU18	

TRIM FINISHES

-01 WHITE	-04BR BRUSHED CHROME	-08 ANTIQUE SILVER
-02 BLACK	-05 ARCHITECTURAL BRONZE	-11 MATTE WHITE
-03 24K GOLD	-06 ANTIQUE COPPER	-12BR BRUSHED NICKEL
-04 CHROME	-07 ANTIQUE BRASS	-13 SATIN NICKEL
		-14 ALMOND

Unless otherwise indicated, trims are for interior use only. For exterior use and up to wet conditions, **MARINE GRADE** treatment is recommended. Available for finishes -01, -02, -05, -06, -11 and -14 only.



Schema for Narrow / Wide flood Adjustment



Project _____

Representative _____

CONTRAST
LIGHTING

1009, rue du Parc Industriel, Saint-Jean-Chrysostome, Qc, CAN G6Z 1C5 Tel.: 1-888-839-4624 Fax : 1-877-839-7057
info@contrastlighting.com
www.contrastlighting.com

NOVEMBER 2010