


SPECIFICATION SHEET

6" COMPACT FLUORESCENT SERIES

FR6HOLB


TRIM WITH FROSTED LENS FOR HORIZONTAL LAMP


 **Damp Location** YES

 **Compact Fluorescent** 13W to 32W



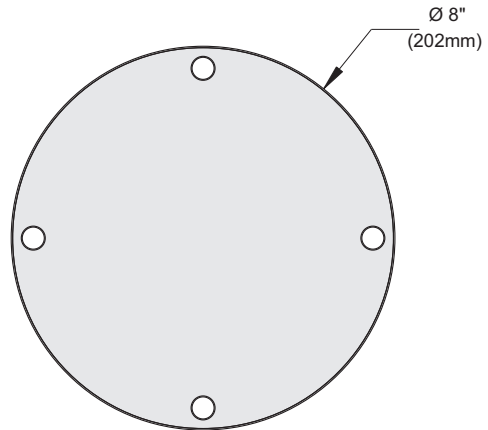
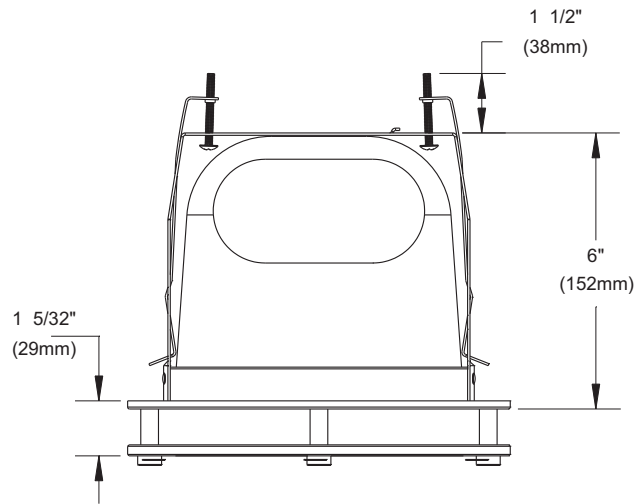
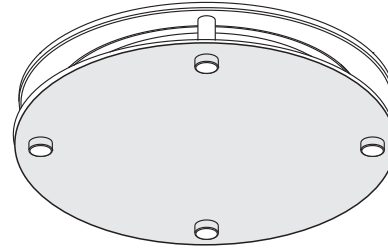
 **Reflectors** Standard : Semi-specular low iridescence

 NWF6HU13, 13S, 18, 18S, 26, 26S, 32S

 F6HU13, 13S, 18, 18S, 26, 26S, 32S

COMPATIBLE HOUSINGS

13W CF	18W CF	26W CF	32W CF
F6HU13	F6HU18	F6HU26	F6HU32S
F6HU13S	F6HU18S	F6HU26S	NWF6HU32S
NWF6HU13	NWF6HU18	NWF6HU26	
NWF6HU13S	NWF6HU18S	NWF6HU26S	



ENERGY STAR® Requirements
120 Volt ONLY

This trim meets every ENERGY STAR requirements when combined with the following housings :

F6HU13	F6HU18	F6HU26	F6HU32S
F6HU13S	F6HU18S	F6HU26S	F6HD32S
NWF6HU13	NWF6HU18	F6HD26S	NWF6HD32S
NWF6HU13S	NWF6HU18S	NWF6HU26	NWF6HU32S
		NWF6HU26S	
		NWF6HD26S	

TRIM FINISHES

-01 WHITE	-04BR BRUSHED CHROME	-08 ANTIQUE SILVER
-02 BLACK	-05 ARCHITECTURAL BRONZE	-11 MATTE WHITE
-03 24K GOLD	-06 ANTIQUE COPPER	-12BR BRUSHED NICKEL
-04 CHROME	-07 ANTIQUE BRASS	-13 SATIN NICKEL
		-14 ALMOND

Unless otherwise indicated, trims are for interior use only. For exterior use and up to wet conditions, **MARINE GRADE** treatment is recommended. Available for finishes -01, -02, -05, -06, -11 and -14 only.



Project _____

Representative _____

CONTRAST
LIGHTING

1009, rue du Parc Industriel, Saint-Jean-Christophe, Qc, CAN G6Z 1C5 Tel.: 1-888-839-4624 Fax : 1-877-839-7057
info@contrastlighting.com
www.contrastlighting.com

NOVEMBER 2010