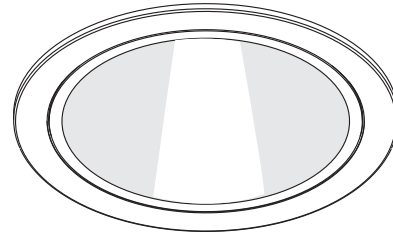



SPECIFICATION SHEET


6" COMPACT FLUORESCENT SERIES


FR6HO


OPEN REFLECTOR TRIM FOR HORIZONTAL LAMP



 **Damp Location** YES

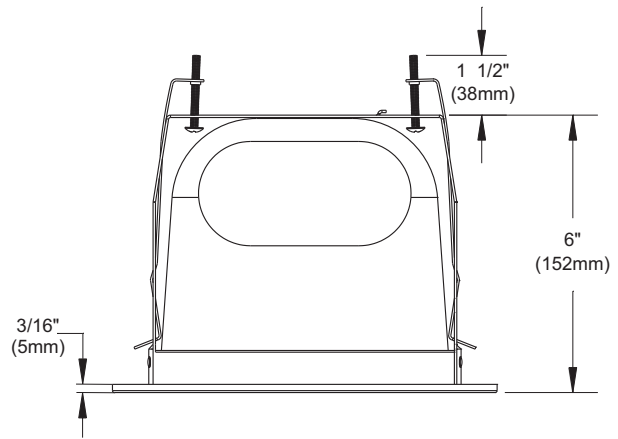
 **Compact Fluorescent** 13W to 32W

 **E175084**

 **Reflectors**
Standard : Semi-specular low iridescence
Also available : Matte iridescence free.
Add a «M» after the «O» in the code.
Example : FR6HOM-01

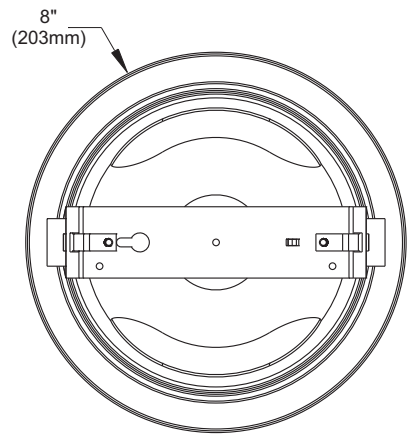
 NWF6HU13, 13S, 18, 18S, 26, 26S, 32S


 F6HU13, 13S, 18, 18S, 26, 26S, 32S



COMPATIBLE HOUSINGS

13W CF	18W CF	26W CF	32W CF
F6HU13	F6HU18	F6HU26	F6HU32S
F6HU13S	F6HU18S	F6HU26S	NWF6HU32S
NWF6HU13	NWF6HU18	NWF6HU26	
NWF6HU13S	NWF6HU18S	NWF6HU26S	





ENERGY STAR® Requirements
120 Volt ONLY

This trim meets every ENERGY STAR requirements when combined with the following housings :

F6HU13	F6HU18	F6HU26	F6HU32S
F6HU13S	F6HU18S	F6HU26S	F6HD32S
NWF6HU13	NWF6HU18	F6HD26S	NWF6HD32S
NWF6HU13S	NWF6HU18S	NWF6HU26	NWF6HU32S
		NWF6HU26S	
		NWF6HD26S	

TRIM FINISHES

- 01 WHITE
- 02 BLACK
- 03 24K GOLD
- 04 CHROME
- 04BR BRUSHED CHROME
- 05 ARCHITECTURAL BRONZE
- 06 ANTIQUE COPPER
- 07 ANTIQUE BRASS
- 08 ANTIQUE SILVER
- 11 MATTE WHITE
- 12BR BRUSHED NICKEL
- 13 SATIN NICKEL
- 14 ALMOND

Unless otherwise indicated, trims are for interior use only. For exterior use and up to wet conditions, **MARINE GRADE** treatment is recommended. Available for finishes -01, -02, -05, -06, -11 and -14 only.



Project _____

Representative _____