








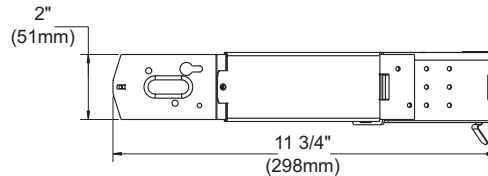
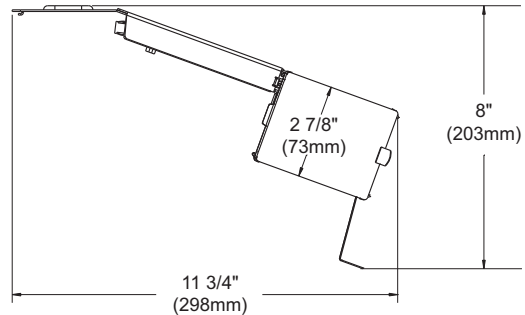
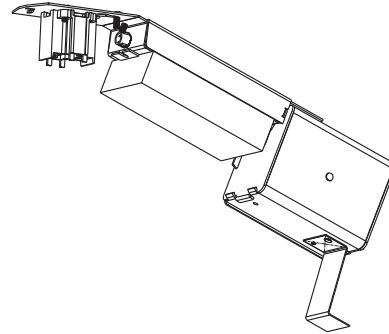
SPECIFICATION SHEET

6" COMPACT FLUORESCENT SERIES

F6V

REMODEL HOUSING FOR VERTICAL LAMP

	YES		E175084												
	ÉLECTRONIC BALLAST														
	120/277 VOLTS (CAN & USA) 347 VOLTS (CANADA)														
	13W to 42W <table border="0" style="display: inline-table; vertical-align: middle;"> <tr> <td>13W : G24q-1</td> <td>4 PIN DTT</td> <td>26W : GX24q-3</td> <td>4 PIN TTT</td> </tr> <tr> <td>18W : G24q-2</td> <td>4 PIN DTT</td> <td>32W : GX24q-3</td> <td>4 PIN TTT</td> </tr> <tr> <td>26W : G24q-3</td> <td>4 PIN DTT</td> <td>42W : GX24q-4</td> <td>4 PIN TTT</td> </tr> </table>			13W : G24q-1	4 PIN DTT	26W : GX24q-3	4 PIN TTT	18W : G24q-2	4 PIN DTT	32W : GX24q-3	4 PIN TTT	26W : G24q-3	4 PIN DTT	42W : GX24q-4	4 PIN TTT
13W : G24q-1	4 PIN DTT	26W : GX24q-3	4 PIN TTT												
18W : G24q-2	4 PIN DTT	32W : GX24q-3	4 PIN TTT												
26W : G24q-3	4 PIN DTT	42W : GX24q-4	4 PIN TTT												
	6 3/4" (171mm)														
	Housing and trim assembly overall dimensions: Height : 9 3/16" (233mm) Length : 14 5/16" (364mm) Width : 6 1/2" (165mm)														



CODES :

F6V <u>U</u> 13	1 X 13W	} 120 to 277 Volts <u>U</u> niversal Ballast
F6V <u>U</u> 18	1 X 18W	
F6V <u>U</u> 42	1 X 26-32-42W	
F6V <u>3</u> 13	1 X 13W	} 347 Volts Ballast For Canada only
F6V <u>3</u> 18	1 X 18W	
F6V <u>3</u> 42	1 X 26-32-42W	
F6V <u>D</u> 18	1 X 18W	} 120 Volts <u>D</u> immable Ballast
F6V <u>D</u> 42	1 X 26-32-42W	
F6V <u>D</u> 18 <u>2</u>	1 X 18W	} 277 Volts <u>D</u> immable Ballast For U.S.A. only
F6V <u>D</u> 42 <u>2</u>	1 X 26-32-42W	



ENERGY STAR® Requirements

120 Volt ONLY

- Lamp with a rated life of 10 000 hours or more, in these colors : 2700K, 3000K, 3500K ou 4100K.
- Generic lamp designation :

CFQ13W/G24q	CFTR26W/GX24q	FR6VO	FR6VOW90
CFQ18W/G24q	CFTR32W/GX24q	FR6VOM	FR6VOMW90
CFTR18W/GX24q	CFTR42W/GX24q	FR6VOLA	FR6VOW90D
CFQ26W/G24q		FR6VOLB	FR6VOMW90D
			FR6VOW120
			FR6VOMW120
- Combine housing with one of the following trims :

COMPATIBLES TRIMS

FR6VO	FR6VOW90	FR6VOW120
FR6VOM	FR6VOMW90	FR6VOMW120
FR6VOLA	FR6VOW90D	FR6VOG
FR6VOLB	FR6VOMW90D	



TECHNICAL SPECIFICATIONS

HOUSING FEATURES

Galvanized steel.
Preset socket assembly and keyhole on socket assembly for easier installation.
Below-ceiling accessible.

LISTINGS

UL-cUL listed for through branch wiring and damp location.

LOCKING SYSTEM

Perfect fit into ceiling.
No light leak.
Hooks PAT#CAN.2.088.648 and #USA.5.377.088
Takes up to 7/8" thick ceiling.

SOCKET

High temperature-rated.
130°C instead of 90°C.
Stainless steel contacts.

BALLAST

120V/277V Class P
HPF Electronic ballast.
347V HPF Electronic ballast, available in Canada. For ordering change U to 3.
Ex : F6V313
Program start without flickering 10% THD and end of life lamp protection.
5 years warranty.

DIMMING CAPABILITY 18W +

When ordering a dedicated dimmable ballast, in product codes change «U» to «D» on 120V. Ex : F6VD26
For 277V dimmable, change «U» to «D» and add suffix «2». Ex : F6VD262
Ballast type : Advance Mark X.
N.B. Dimmable ballast are dedicated to either 120 or 277V.

VOLTAGE

The **120V** line is available **either** in Canada and USA.
The **277V** line is available **only** in the USA. The **347V** line is available **only** in Canada.

CONTRAST

L I G H T I N G

1009, rue du Parc Industriel, Saint-Jean-Chrysostome, Qc, CAN G6Z 1C5 Tel.: 1-888-839-4624 Fax : 1-877-839-7057
info@contrastlighting.com
www.contrastlighting.com

NOVEMBER 2010