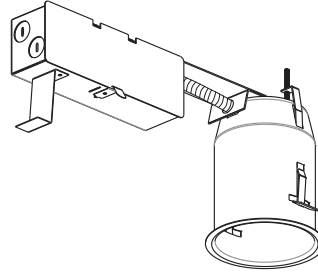





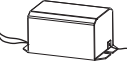



SPECIFICATION SHEET

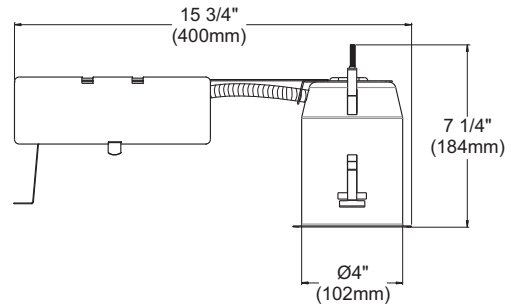
4" COMPACT FLUORESCENT SERIES

F2000L

REMODEL HOUSING FOR VERTICAL LAMP

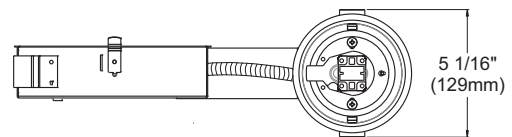


	Damp Location	YES		E175084
	Compact Fluorescent	13W [GX23-2 2PIN DTT		
	H.P.F. MAGNETIC BALLAST			
	Voltage	120 VOLTS (CAN & USA.)		
	OD Cut	4 1/4" (108mm)		
	Dimensions	Housing and trim assembly overall dimensions Height : 7 1/4" (184mm) Length : 15 3/4" (400mm) Width : 5 1/16" (129mm)		



CODE :

F2000L 13W [MAGNETIC TRANSFORMER 120V / 12V



COMPATIBLE TRIMS

A2000V	A2010V	A2000VL	A2010VL
A2000VS	A2010VS	A2000VLS	A2010VLS
A2400S	A2401S	A2450S	A2451S



TECHNICAL SPECIFICATIONS

HOUSING FEATURES

Galvanized steel.
Preset socket assembly and keyhole on socket assembly for easier installation.
Below-ceiling accessible.

LOCKING SYSTEM

Perfect fit into ceiling.
No light leak.
Hooks PAT#CAN.2.088.648 and #USA.5.377.088
Takes up to 7/8" thick ceiling.

LISTINGS

UL-cUL listed for through branch wiring and damp location.

BALLAST

10 years warranty.

SOCKET

High temperature-rated.
130°C instead of 90°C.
Stainless steel contacts.

CONTRAST
LIGHTING

1009, rue du Parc Industriel, Saint-Jean-Chrysostome, Qc, CAN G6Z 1C5 TEL.:1-888-839-4624 Fax : 1-877-839-7057
info@contrastlighting.com
www.contrastlighting.com

DECEMBER 2010