


SPECIFICATION SHEET

PROJECT No:

"NON-IC" TYPE HOUSING

F2000

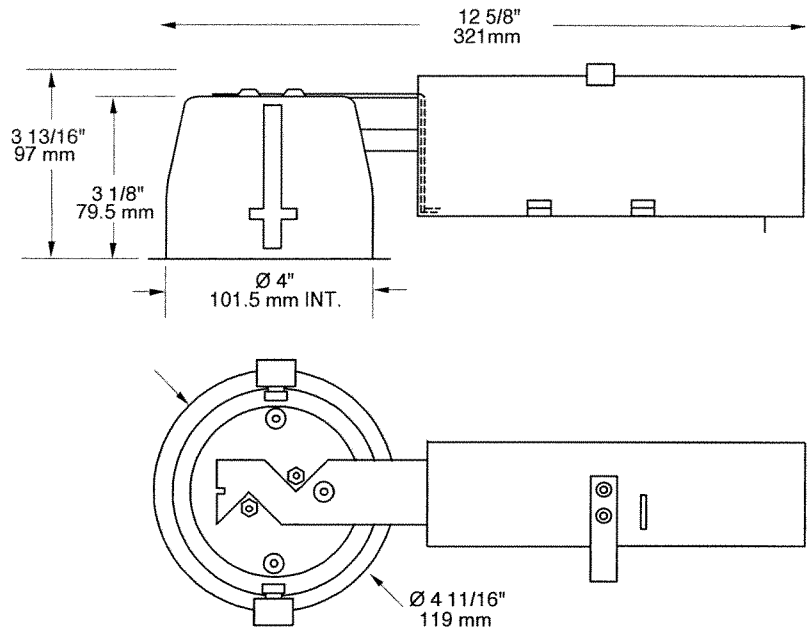
 _____
 yes _____
VOLTAGE 120 VOLTS _____

 1 x 13W GX23-2 2PIN DTT _____


 H.P.F.magnetic Ballast _____

 BX Length _____

 UL number E 175084 _____
E Electronic M Magnetic C Short L Long



AVAILABLE TRIMS
 A2000V, A2000VL, A2000VLS, A2000VS
 A2010V, A2010VL, A2010VLS, A2010VS

 **OD Cut : 4 1/4" (107 mm)**

TECHNICAL SPECIFICATIONS

HOUSING FEATURES Galvanized steel Preset socket assembly and Keyhole on socket assembly for easier installation Below ceiling accessible See specs housing section	LOCKING SYSTEM Perfect fit to ceiling No light leak Hooks PAT#CAN.2.088.648 and #USA.5.377.088 Take up to 7/8" thick ceilings	BALLAST 120V Class P HPF Magnetic ballast instant start 2 Year Warranty	SOCKET High temperature-rated 130° C instead of 90° C Stainless Steel contacts	LISTINGS UL-cUL Listed for through branch wiring and damp location
---	--	--	---	--

Your Project: _____

Representative: _____

