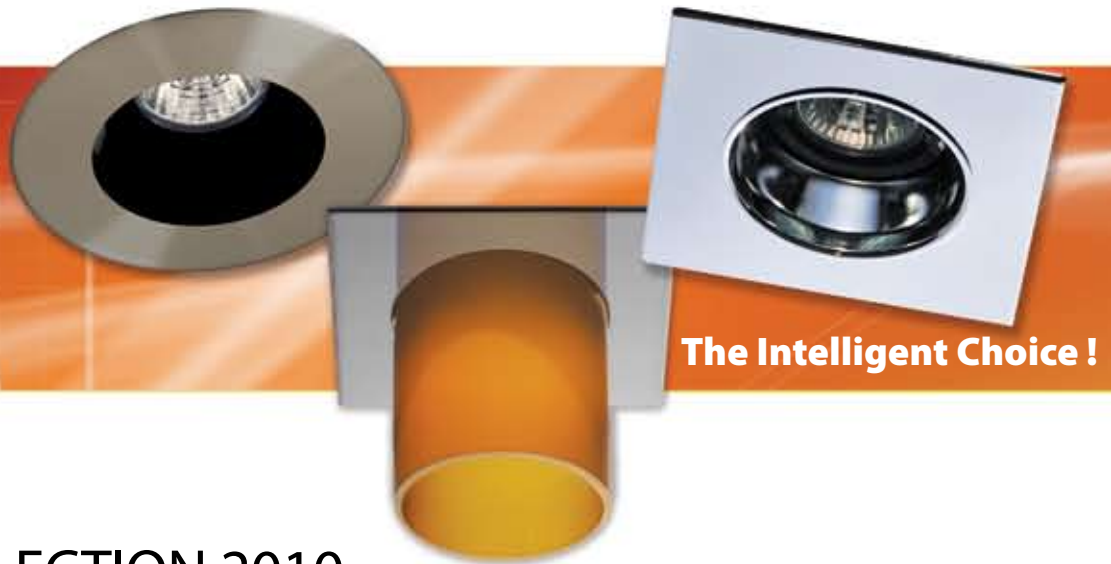


CONTRAST

L I G H T I N G M.L. INC.



The Intelligent Choice !

NEW COLLECTION 2010

Specification Grade Products

Downlight and Adjustable Trims

For Lighting Fixtures
2000 - 3000 and 4000 Series
Low & Line Voltages - High Intensity Discharge

- 01

White
- 02

Black
- 03

Gold Plated 24k
- 04

Chrome
- 04BR

Brushed Chrome
- 05

Architectural Bronze
- 06

Antique Copper
- 07

Antique Brass
- 08

Antique Silver
- 11

Matte White
- 12BR

Brushed Nickel
- 13

Satin Nickel
- 14

Almond



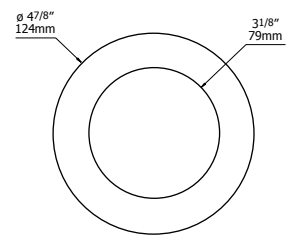
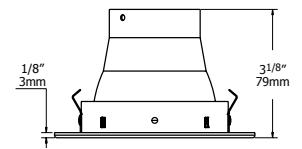
New Collection - 2010




We present you with the latest trends in recessed lighting !

Constantly working to enlarge your choice for trims in the Contrast Lighting collection, our team has put together for you these new designs to compliment your decor.

4" 2000 series

A2020 Deep Regressed Round Trim



-  **Damp location**
-  **Line voltage** : PAR20 50W
-  **Standard reflector** : Aluminum semi-specular low iridescence

Trim codification EX: A2020-13

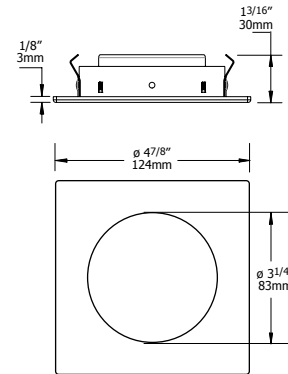
MODEL	TRIM FINISH
A2020	-13

Housing compatibility

Line voltage : PAR20

New Construction	Max. Wattage	Remodel	Max. Wattage	Insulated	Max. Wattage
NW2000CA	50W	CA2000	50W	ISCA2000	50W

A2100 Square Trim



Damp location



Line voltage : PAR20 50W



High Intensity Discharge : PAR20 39W HID



Standard reflector : Semi glossy Black

White reflector is available with a White trim: A2100-01W

Matte White reflector is available with a matte White trim: A2100-11W

Trim codification EX: A2100-11

MODEL	TRIM FINISH
A2100	-11

Housing compatibility

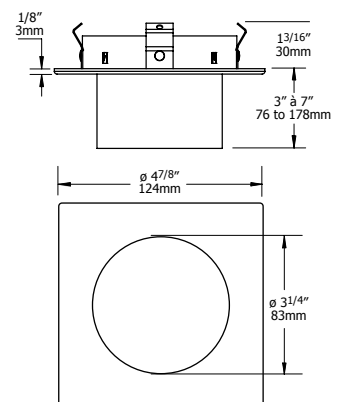
Line voltage : PAR20

New Construction	Max. Wattage	Remodel	Max. Wattage	Insulated	Max. Wattage
NW2000CA	50W	CA2000	50W	ISCA2000	50W

High Intensity Discharge : PAR20 HID

New Construction	Max. Wattage	Remodel	Max. Wattage	Insulated	Max. Wattage
N / A		CA2000MH	39W	N / A	

A2100VT Square Trim with Frosted Glass Tube



Damp location



Line voltage : PAR20 50W



Glass tube

LENGTHS: Available in 3, 4, 5, 6 and 7 inches.

Add tube length at the end of the code: A2100VT-12BR-NFF05

COLORS, TEXTURES AND ASPECTS: Contact customer service for availabilities

Trim codification EX: A2100VT-13-NFF04

MODEL	TRIM FINISH	GLASS COLOR	TEXTURE	LENGTH
A2100VT	-13	-N	FF	04

Housing compatibility

Line voltage : PAR20

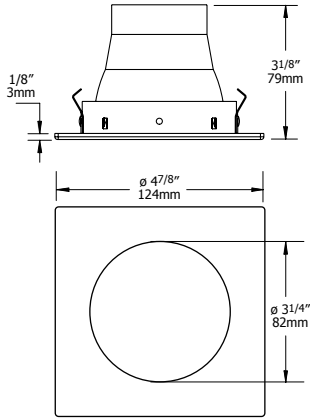
New Construction	Max. Wattage	Remodel	Max. Wattage	Insulated	Max. Wattage
NW2000CA	50W	CA2000	50W	ISCA2000	50W

- 01 White
- 02 Black
- 03 Gold Plated 24k
- 04 Chrome
- 04BR Brushed Chrome
- 05 Architectural Bronze
- 06 Antique Copper
- 07 Antique Brass
- 08 Antique Silver
- 11 Matte White
- 12BR Brushed Nickel
- 13 Satin Nickel
- 14 Almond

4" 2000 series

- 01 White
- 02 Black
- 03 Gold Plated 24k
- 04 Chrome
- 04BR Brushed Chrome
- 05 Architectural Bronze
- 06 Antique Copper
- 07 Antique Brass
- 08 Antique Silver
- 11 Matte White
- 12BR Brushed Nickel
- 13 Satin Nickel
- 14 Almond

A2120 Deep Regressed Square Trim



Damp location



Line voltage : PAR20 50W



Standard reflector : Aluminum semi-specular low iridescence

Trim codification EX: A2120-01

MODEL	TRIM FINISH
A2120	-01

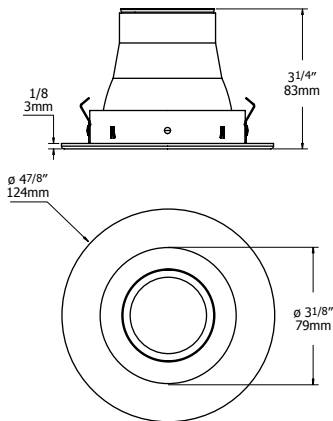
Housing compatibility

Line voltage : PAR20

New Construction	Max. Wattage	Remodel	Max. Wattage	Insulated	Max. Wattage
NW2000CA	50W	CA2000	50W	ISCA2000	50W

4" 2000 series

R2020 Deep Regressed Trim



Damp location



Low voltage : MR16 37-50W
Available with magnetic transformer or electronic converter



Standard reflector : Aluminum semi-specular low iridescence

Trim codification EX: R2020-04BR

MODEL	TRIM FINISH
R2020	-04BR


Housing compatibility


Low voltage : MR16

New Construction	Max. Wattage	Remodel	Max. Wattage	Insulated	Max. Wattage
NW2000E	50W	IT2000E	50W	ISMR2000M	50W
NW2000LM	50W	IT2000M	50W	ISMR2000M37	37W
				ISMR2000E37	37W

R2051 Regressed Adjustable Trim with Square Opening

 **Damp location**

 **Low voltage** : MR16 37-50W
Available with magnetic transformer or electronic converter

 **Standard reflector** : painted Black
Also available : painted White (W) and clear specular anodized (S)
White reflector is available with a White trim: R2051-01W
Matte White reflector is available with a matte White trim: R2051-11W
Specular reflector is available with all finishes: R2051-08S

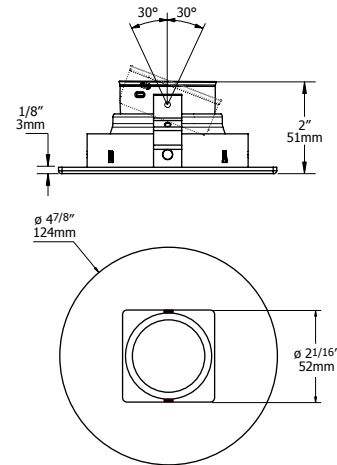
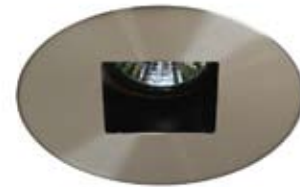
Trim codification EX: R2051-13

MODEL	TRIM FINISH
R2051	-13

Housing compatibility


Low voltage : MR16


New Construction	Max. Wattage	Remodel	Max. Wattage	Insulated	Max. Wattage
NW2000E	50W	IT2000E	50W	ISMR2000M	50W
NW2000LM	50W	IT2000M	50W	ISMR2000M37	37W
NW2000CE	42W	IT2000CE	42W	ISMR2000E37	37W
NW2000CM	42W	IT2000CM	42W		



R2100 Regressed Adjustable Square Trim

 **Damp location**

 **Low voltage** : MR16 37-50W
Available with magnetic transformer or electronic converter

 **Standard reflector** : painted Black
Also available : painted White and clear specular anodized
White reflector is available with a White trim: R2100-01W
Matte White reflector is available with a matte White trim: R2100-11W
Specular reflector is available with all finishes: R2100-11S

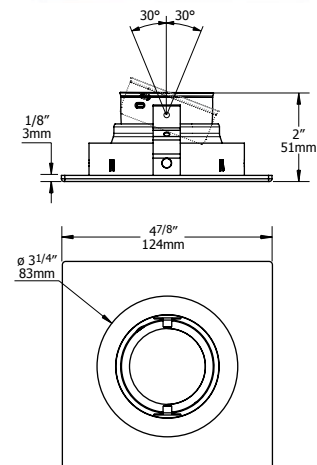
Trim codification EX: R2100-04S

MODEL	TRIM FINISH	REFLECTOR
R2100	-04	S

Housing compatibility

Low voltage : MR16

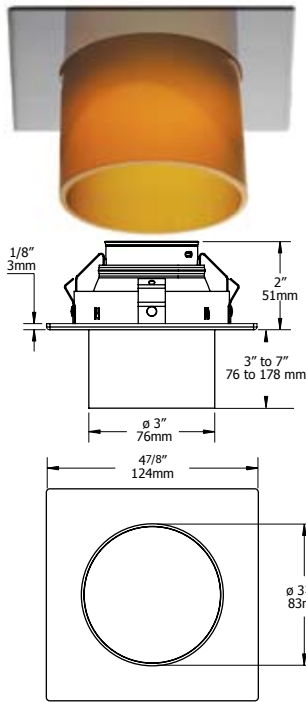
New Construction	Max. Wattage	Remodel	Max. Wattage	Insulated	Max. Wattage
NW2000E	50W	IT2000E	50W	ISMR2000M	50W
NW2000LM	50W	IT2000M	50W	ISMR2000M37	37W
NW2000CE	42W	IT2000CE	42W	ISMR2000E37	37W
NW2000CM	42W	IT2000CM	42W		



- 01 White
- 02 Black
- 03 Gold Plated 24k
- 04 Chrome
- 04BR Brushed Chrome
- 05 Architectural Bronze
- 06 Antique Copper
- 07 Antique Brass
- 08 Antique Silver
- 11 Matte White
- 12BR Brushed Nickel
- 13 Satin Nickel
- 14 Almond

4" 2000 series

R2100VT Square Trim with Frosted Glass Tube



Damp location

Low voltage : MR16 37-50W
Available with magnetic transformer or electronic converter

Glass tube
LENGTHS: Available in 3, 4, 5, 6 and 7 inches.
Add tube length at the end of the code: R2100VT-12BR-NFF**05**
COLORS, TEXTURES AND ASPECTS: Contact customer service for availabilities

Trim codification EX: R2100VT-12BR-MFF03

MODEL	TRIM FINISH	GLASS COLOR	TEXTURE	LENGTH
R2100VT	-12BR	M	FF	03

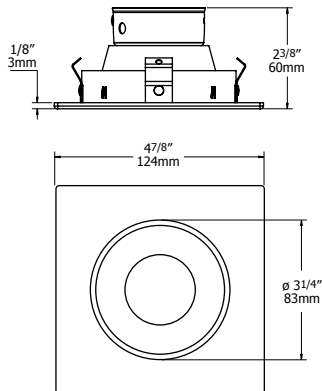
Housing compatibility

Low voltage : MR16

New Construction	Max. Wattage	Remodel	Max. Wattage	Insulated	Max. Wattage
NW2000E	50W	IT2000E	50W	ISMR2000M	50W
NW2000LM	50W	IT2000M	50W	ISMR2000M37	37W
NW2000CE	42W	IT2000CE	42W	ISMR2000E37	37W
NW2000CM	42W	IT2000CM	42W		

4" 2000 series

R2100V SM / R2110V SM / R2130V SM Regressed Square trim with Smooth Frosted Glass Reflector



Damp location

Low voltage : MR16 37-50W
Available with magnetic transformer or electronic converter

Smooth Glass reflector
Available in 3 different colors:
Natural : R2100V-XXSM
Blue : R2110V-XXSM
Green : R2130V-XXSM

Trim codification EX: R2130V-02SM

MODEL	TRIM FINISH	REFLECTOR
R2130V	-02	SM

Housing compatibility

Low voltage : MR16

New Construction	Max. Wattage	Remodel	Max. Wattage	Insulated	Max. Wattage
NW2000E	50W	IT2000E	50W	ISMR2000M	50W
NW2000LM	50W	IT2000M	50W	ISMR2000M37	37W
NW2000CE	42W	IT2000CE	42W	ISMR2000E37	37W
NW2000CM	42W	IT2000CM	42W		

-01



White

-02



Black

-03



Gold Plated 24k

-04



Chrome

-04BR



Brushed Chrome

-05



Architectural Bronze

-06



Antique Copper

-07



Antique Brass

-08



Antique Silver

-11



Matte White

-12BR



Brushed Nickel

-13



Satin Nickel


-14



Almond

R2100V ST / R2110V ST / R2130V ST Regressed Square Trim with Stepped Frosted Glass Reflector

 **Damp location**

 **Low voltage** : MR16 37-50W
Available with magnetic transformer or electronic converter

 **Stepped Glass reflector**
Available in 3 different colors:
Natural : R2100V-XXST
Blue : R2110V-XXST
Green : R2130V-XXST

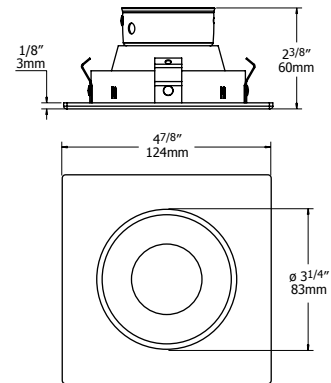
Trim codification EX: R2110V-04ST

MODEL	TRIM FINISH	REFLECTOR
R2110V	-04	ST

Housing compatibility

Low voltage : MR16


New Construction	Max. Wattage	Remodel	Max. Wattage	Insulated	Max. Wattage
NW2000E	50W	IT2000E	50W	ISMR2000M	50W
NW2000LM	50W	IT2000M	50W	ISMR2000M37	37W
NW2000CE	42W	IT2000CE	42W	ISMR2000E37	37W
NW2000CM	42W	IT2000CM	42W		




- 01  White
- 02  Black
- 03  Gold Plated 24k
- 04  Chrome
- 04BR  Brushed Chrome
- 05  Architectural Bronze
- 06  Antique Copper
- 07  Antique Brass
- 08  Antique Silver
- 11  Matte White
- 12BR  Brushed Nickel
- 13  Satin Nickel
- 14  Almond

R2120 Deep Regressed Trim

 **Damp location**

 **Low voltage** : MR16 37-50W
Available with magnetic transformer or electronic converter

 **Standard reflector** : Aluminum semi-specular low iridescence

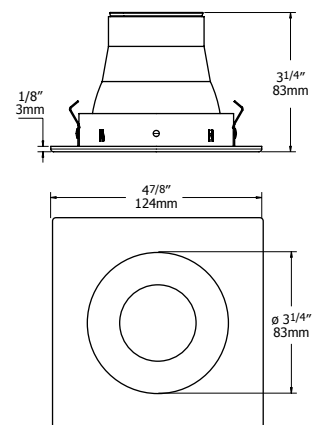
Trim codification EX: R2120-12BR

MODEL	TRIM FINISH
R2120	-12BR

Housing compatibility

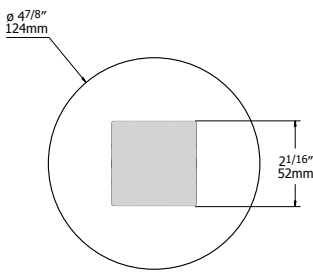
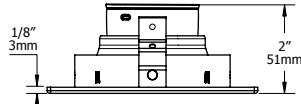
Low voltage : MR16

New Construction	Max. Wattage	Remodel	Max. Wattage	Insulated	Max. Wattage
NW2000E	50W	IT2000E	50W	ISMR2000M	50W
NW2000LM	50W	IT2000M	50W	ISMR2000M37	37W
				ISMR2000E37	37W



4" 2000 series

S2051 Shower Trim with Square Opening



Wet location

Low voltage : MR16 37-50W
Available with magnetic transformer or electronic converter

Standard lens : UV frosted lens
Also available: **Clear** (S2051C).

Trim codification EX: S2051-13

MODEL	TRIM FINISH
S2051	-13

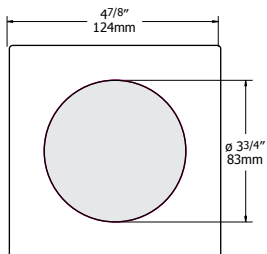
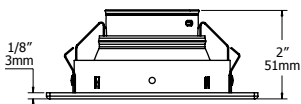
Housing compatibility

Low voltage : MR16

New Construction	Max. Wattage	Remodel	Max. Wattage	Insulated	Max. Wattage
NW2000E	50W	IT2000E	50W	ISMR2000M	50W
NW2000LM	50W	IT2000M	50W	ISMR2000M37	37W
NW2000CE	42W	IT2000CE	42W	ISMR2000E37	37W
NW2000CM	42W	IT2000CM	42W		

4" 2000 series

S2100 Square Shower Trim



Wet location

Low voltage : MR16 37-50W
Available with magnetic transformer or electronic converter

Standard lens : UV frosted lens
Also available: **Clear** (S2100C) and **Frosted with clear center** (S2100FC)

Trim codification EX: S2100-04BR

MODEL	TRIM FINISH
S2100	-04BR

Housing compatibility

Low voltage : MR16

New Construction	Max. Wattage	Remodel	Max. Wattage	Insulated	Max. Wattage
NW2000E	50W	IT2000E	50W	ISMR2000M	50W
NW2000LM	50W	IT2000M	50W	ISMR2000M37	37W
NW2000CE	42W	IT2000CE	42W	ISMR2000E37	37W
NW2000CM	42W	IT2000CM	42W		

-01



White

-02



Black

-03



Gold Plated 24k

-04



Chrome

-04BR



Brushed Chrome

-05



Architectural Bronze

-06



Antique Copper

-07



Antique Brass

-08



Antique Silver

-11



Matte White

-12BR



Brushed Nickel

-13



Satin Nickel


-14



Almond

R3171 Two Parts Square Trim with Square Pinhole Opening

 **Damp location**

 **Low voltage** : MR16 37-50W
Available with magnetic transformer or electronic converter

 **Standard reflector** : Anodized Aluminum

Also available:

Anodized	Specular	Painted
AZ Azur	BK Black	-01 White
BO Burnt Orange	CH Champagne	-02 Black
CB Cobalt Blue	CL Clear	-11 Matte White
IG Inca Gold		
RU Ruby		

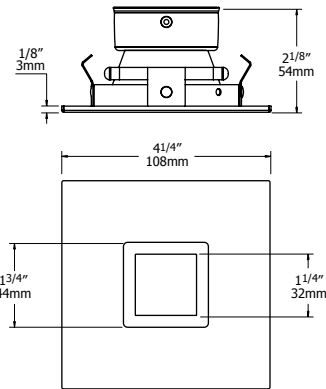
Trim codification EX: R3171-13-02

MODEL	TRIM FINISH	REFLECTOR
R3171	-13	-02

Housing compatibility


Low voltage : MR16

New Construction	Max. Wattage	Remodel	Max. Wattage	Insulated
NW3000LE	50W	IT3000LE	50W	Available soon
NW3000LM	50W	IT3000LM	50W	
NW3000CE	37W	IT3000E	37W	
NW3000CM	37W	IT3000M	37W	



T3671 Two Parts Trim with Square Pinhole Opening

 **Damp location**

 **Low voltage** : MR16 37-50W
Available with magnetic transformer or electronic converter

 **Standard reflector** : Anodized Aluminum

Also available:

Anodized	Specular	Painted
AZ Azur	BK Black	-01 White
BO Burnt Orange	CH Champagne	-02 Black
CB Cobalt Blue	CL Clear	-11 Matte White
IG Inca Gold		
RU Ruby		

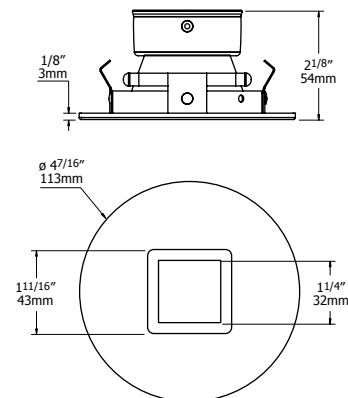
Trim codification EX: T3671-12BRBK

MODEL	TRIM FINISH	REFLECTOR
T3671	-12BR	BK

Housing compatibility

Low voltage : MR16

New Construction	Max. Wattage	Remodel	Max. Wattage	Insulated
NW3000LE	50W	IT3000LE	50W	Available soon
NW3000LM	50W	IT3000LM	50W	
NW3000CE	37W	IT3000E	37W	
NW3000CM	37W	IT3000M	37W	



- 01 White
- 02 Black
- 03 Gold Plated 24k
- 04 Chrome
- 04BR Brushed Chrome
- 05 Architectural Bronze
- 06 Antique Copper
- 07 Antique Brass
- 08 Antique Silver
- 11 Matte White
- 12BR Brushed Nickel
- 13 Satin Nickel
- 14 Almond

3 1/2" 3000 series

T3145DG Square Double Gimbal Ring



Damp location

Low voltage : MR16 37-50W
Available with magnetic transformer or electronic converter

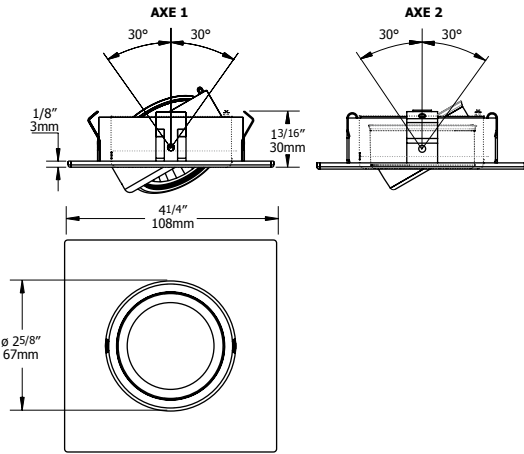
Trim codification EX: T3145DG-08

MODEL	TRIM FINISH
T3145DG	-08

Housing compatibility

Low voltage : MR16

New Construction	Max. Wattage	Remodel	Max. Wattage	Insulated
NW3000LE	50W	IT3000E	37W	Available soon
NW3000LM	50W	IT3000M	37W	
NW3000CE	37W	IT3000CE	37W	
NW3000CM	37W	IT3000CM	37W	
		IT3000LM	50W	
		IT3000LE	50W	



3 1/2" 3000 series

T3250DG Trim with Double Gimbal Ring



Damp location

Low voltage : MR16 37-50W
Available with magnetic transformer or electronic converter

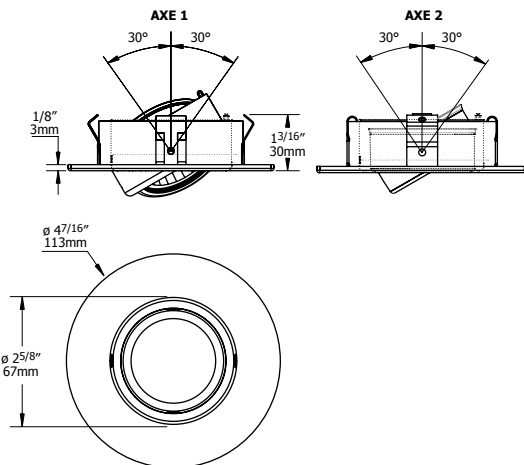
Trim codification EX: T3250DG-12BR

MODEL	TRIM FINISH
T3250DG	-12BR

Housing compatibility

Low voltage : MR16

New Construction	Max. Wattage	Remodel	Max. Wattage	Insulated
NW3000LE	50W	IT3000E	37W	Available soon
NW3000LM	50W	IT3000M	37W	
NW3000CE	37W	IT3000CE	37W	
NW3000CM	37W	IT3000CM	37W	
		IT3000LM	50W	
		IT3000LE	50W	



-01

White

-02

Black

-03

Gold Plated 24k

-04

Chrome

-04BR

Brushed Chrome

-05

Architectural Bronze

-06

Antique Copper

-07

Antique Brass

-08

Antique Silver

-11

Matte White

-12BR

Brushed Nickel

-13

Satin Nickel

-14

Almond

R3151K**Very Low Profile Regressed Square Trim with Square Pinhole Opening****Damp location****Low voltage** : MR16 50W

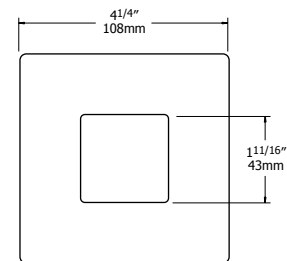
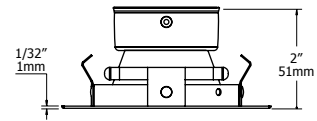
Available with magnetic transformer or electronic converter

**Line voltage** : GU/GZ-10 50W**Standard reflector** : Anodized AluminumAlso available: **Anodized** **Specular** **Painted****AZ** Azur **BK** Black **-01** White**BO** Burnt Orange **CH** Champagne **-02** Black**CB** Cobalt Blue **CL** Clear **-11** Matte White**IG** Inca Gold**RU** Ruby**Trim codification** EX: R3151K-11-02

MODEL	TRIM FINISH	REFLECTOR
R3151K	-11	-02

Housing compatibility**Low voltage** : MR16**Line voltage** : GU/GZ-10

New Construction	Max. Wattage	New Construction	Max. Wattage
NW3000LE	50W	NW3000LT	50W
NW3000LM	50W		
NW3000CE	50W		
NW3000CM	50W		

**T3450K****Very Low Profile Regressed Trim****Damp location****Low voltage** : MR16 50W

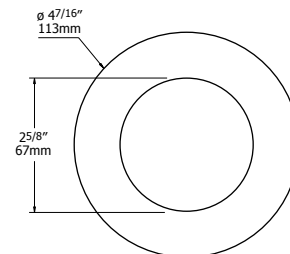
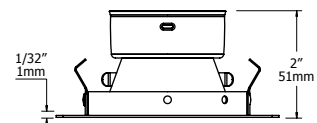
Available with magnetic transformer or electronic converter

**Line voltage** : GU/GZ-10 50W**Standard reflector** : Anodized AluminumAlso available: **Anodized** **Specular** **Painted****AZ** Azur **BK** Black **-01** White**BO** Burnt Orange **CH** Champagne **-02** Black**CB** Cobalt Blue **CL** Clear **-11** Matte White**IG** Inca Gold**RU** Ruby**Trim codification** EX: T3450K-12BR-02

MODEL	TRIM FINISH	REFLECTOR
T3450K	-12BR	-02

Housing compatibility**Low voltage** : MR16**Line voltage** : GU/GZ-10

New Construction	Max. Wattage	New Construction	Max. Wattage
NW3000LE	50W	NW3000LT	50W
NW3000LM	50W		
NW3000CE	50W		
NW3000CM	50W		



-01

White

-02

Black

-03

Gold

Plated 24k

-04

Chrome

-04BR

Brushed

Chrome

-05

Architectural

Bronze

-06

Antique

Copper

-07

Antique

Brass

-08

Antique

Silver

-11

Matte

White

-12BR

Brushed

Nickel

-13

Satin

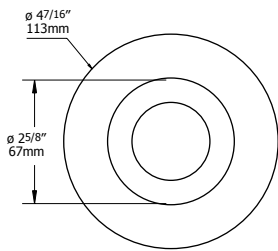
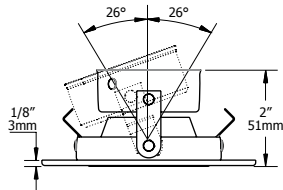
Nickel

-14

Almond

3 1/2" 3000 series

R3450D Regressed Adjustable Trim



Damp location



Low voltage : MR16 37-50W
Available with magnetic transformer or electronic converter



Standard reflector : Anodized Aluminum

Also available:

Anodized	Specular	Painted
AZ Azur	BK Black	-01 White
BO Burnt Orange	CH Champagne	-02 Black
CB Cobalt Blue	CL Clear	-11 Matte White
IG Inca Gold		
RU Ruby		

Trim codification EX: R3450D-12BR-02

MODEL	TRIM FINISH	REFLECTOR
R3450D	-12BR	-02

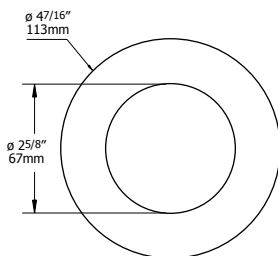
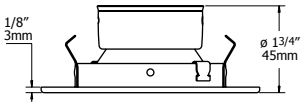
Housing compatibility

Low voltage : MR16

New Construction	Max. Wattage	Remodel	Max. Wattage	Insulated
NW3000LE	50W	IT3000E	37W	Available soon
NW3000LM	50W	IT3000M	37W	
NW3000CE	37W	IT3000CE	37W	
NW3000CM	37W	IT3000CM	37W	
		IT3000LE	50W	
		IT3000LM	50W	

3 1/2" 3000 series

R3470 Regressed Trim



Damp location



Low voltage : MR16 37-50W
Available with magnetic transformer or electronic converter



Standard reflector : Anodized Aluminum

Also available:

Anodized	Specular	Painted
AZ Azur	BK Black	-01 White
BO Burnt Orange	CH Champagne	-02 Black
CB Cobalt Blue	CL Clear	-11 Matte White
IG Inca Gold		
RU Ruby		

Trim codification EX: R3470-13-02

MODEL	TRIM FINISH	TRIM FINISH
R3470	-13	-02

Housing compatibility

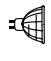
Low voltage : MR16

New Construction	Max. Wattage	Remodel	Max. Wattage	Insulated
NW3000LE	50W	IT3000E	37W	Available soon
NW3000LM	50W	IT3000M	37W	
NW3000CE	37W	IT3000CE	37W	
NW3000CM	37W	IT3000CM	37W	
		IT3000LE	50W	
		IT3000LM	50W	

- 01 White
- 02 Black
- 03 Gold Plated 24k
- 04 Chrome
- 04BR Brushed Chrome
- 05 Architectural Bronze
- 06 Antique Copper
- 07 Antique Brass
- 08 Antique Silver
- 11 Matte White
- 12BR Brushed Nickel
- 13 Satin Nickel
- 14 Almond

T4125 Square 30° Adjustable Trim

 **Damp location**

 **Low voltage** : MR16 20-35W
Available with magnetic transformer or electronic converter

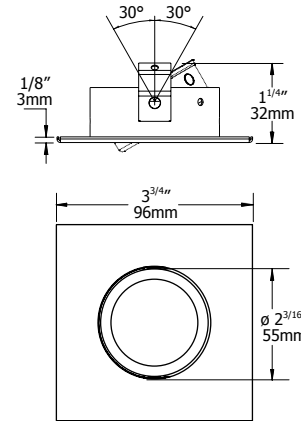
Trim codification EX: T4125-08

MODEL	TRIM FINISH
T4125	-08

Housing compatibility

Low voltage : MR16

New Construction	Max. Wattage	Remodel	Max. Wattage	Insulated	Max. Wattage
NW4000M	35W	IT4000CM	20W	ISMR4000M	20W
NW4000E	35W	IT4000CE	20W		
		IT4000M	35W		
		IT4000E	35W		



T4145 Square Regressed Trim

 **Damp location**

 **Low voltage** : MR16 20W
Available with magnetic transformer or electronic converter

 **Standard reflector** : Anodized Aluminum

Also available:

Anodized	Specular	Painted
AZ Azur	BK Black	-01 White
BO Burnt Orange	CH Champagne	-02 Black
CB Cobalt Blue	CL Clear	-11 Matte White
IG Inca Gold		
RU Ruby		

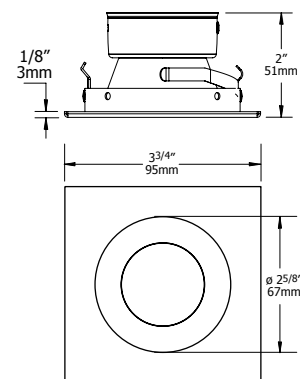
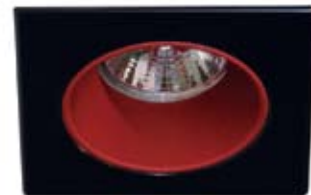
Trim codification EX: T4145-02RU

MODEL	TRIM FINISH	REFLECTOR
T4145	-02	RU

Housing compatibility

Low voltage : MR16

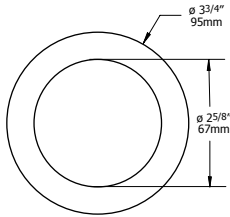
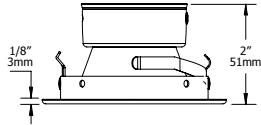
New Construction	Max. Wattage	Remodel	Max. Wattage	Insulated	Max. Wattage
NW4000M	20W	IT4000M	20W	ISMR4000M	20W
NW4000E	20W	IT4000E	20W		



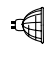
- 01  White
- 02  Black
- 03  Gold Plated 24k
- 04  Chrome
- 04BR  Brushed Chrome
- 05  Architectural Bronze
- 06  Antique Copper
- 07  Antique Brass
- 08  Antique Silver
- 11  Matte White
- 12BR  Brushed Nickel
- 13  Satin Nickel
- 14  Almond

3" 4000 series

T4450 Low Profile Regressed Trim



 **Damp location**

 **Low voltage** : MR16 20W
Available with magnetic transformer or electronic converter

 **Standard reflector** : Anodized Aluminum

Also available:

Anodized	Specular	Painted
AZ Azur	BK Black	-01 White
BO Burnt Orange	CH Champagne	-02 Black
CB Cobalt Blue	CL Clear	-11 Matte White
IG Inca Gold		
RU Ruby		

Trim codification EX: T4450-11BK

MODEL	TRIM FINISH	REFLECTOR
T4450	-11	BK

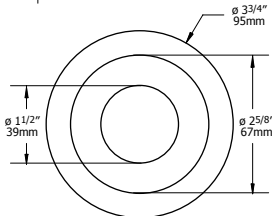
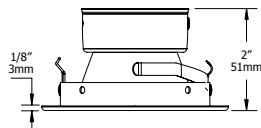
Housing compatibility

Low voltage : MR16

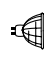
New Construction	Max. Wattage	Remodel	Max. Wattage	Insulated	Max. Wattage
NW4000M	20W	IT4000M	20W	ISMR4000M	20W
NW4000E	20W	IT4000E	20W		

3" 4000 series

T4650 Low Profile Regressed Trim with Pinhole Opening



 **Damp location**

 **Low voltage** : MR16 20W
Available with magnetic transformer or electronic converter

 **Standard reflector** : Anodized Aluminum

Also available:

Anodized	Specular	Painted
AZ Azur	BK Black	-01 White
BO Burnt Orange	CH Champagne	-02 Black
CB Cobalt Blue	CL Clear	-11 Matte White
IG Inca Gold		
RU Ruby		

Trim codification EX: T4650-07-02

MODEL	TRIM FINISH	REFLECTOR
T4650	-07	-02

Housing compatibility

Low voltage : MR16

New Construction	Max. Wattage	Remodel	Max. Wattage	Insulated	Max. Wattage
NW4000M	20W	IT4000M	20W	ISMR4000M	20W
NW4000E	20W	IT4000E	20W		

-01

White

-02

Black

-03

Gold Plated 24k

-04

Chrome

-04BR

Brushed Chrome

-05

Architectural Bronze

-06

Antique Copper

-07

Antique Brass

-08

Antique Silver

-11

Matte White

-12BR

Brushed Nickel

-13

Satin Nickel

-14

Almond

S4151 Shower trim with Square Opening



Wet location



Low voltage : MR16 20W

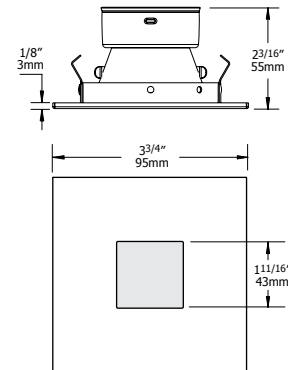
Available with magnetic transformer or electronic converter.



Standard reflector : Anodized Aluminum

Also available:

	Anodized	Specular	Painted
AZ	Azur	BK Black	-01 White
BO	Burnt Orange	CH Champagne	-02 Black
CB	Cobalt Blue	CL Clear	-11 Matte White
IG	Inca Gold		
RU	Ruby		



Lenses

Standard: UV frosted lens. Also Available: **Clear (S4151C).**

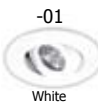
Trim codification EX: S4151-07

MODEL	TRIM FINISH
S4151	-07

Housing compatibility

Low voltage : MR16

New Construction	Max. Wattage	Remodel	Max. Wattage	Insulated	Max. Wattage
NW4000M	20W	IT4000M	20W	ISMR4000M	20W
NW4000E	20W	IT4000E	20W		



S4450 Low Profile Shower Trim



Wet location



Low voltage : MR16 20W

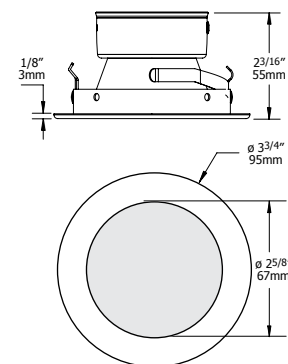
Available with magnetic transformer or electronic converter.



Standard reflector : Anodized Aluminum

Also available:

	Anodized	Specular	Painted
AZ	Azur	BK Black	-01 White
BO	Burnt Orange	CH Champagne	-02 Black
CB	Cobalt Blue	CL Clear	-11 Matte White
IG	Inca Gold		
RU	Ruby		



Lenses

Standard: UV frosted lens. Also available: **Clear (S4450C)** and **Frosted with clear center (S4450FC).**

Trim codification EX: S4450-12BR

MODEL	TRIM FINISH
S4450	-12BR

Housing compatibility

Low voltage : MR16

New Construction	Max. Wattage	Remodel	Max. Wattage	Insulated	Max. Wattage
NW4000M	20W	IT4000M	20W	ISMR4000M	20W
NW4000E	20W	IT4000E	20W		

CONTRAST

L I G H T I N G M.L. INC.

Corporate Headquarters

1009, rue du Parc Industriel

Saint-Jean-Chrysostome

Québec, Canada G6Z 1C5

Phone : (418) 839-4624 Toll free: 1 888 839-4624

Fax: (418) 839-7057 Toll free: 1 877 839-7057

info@contrastlighting.com

www.contrastlighting.com

04-2010

402459