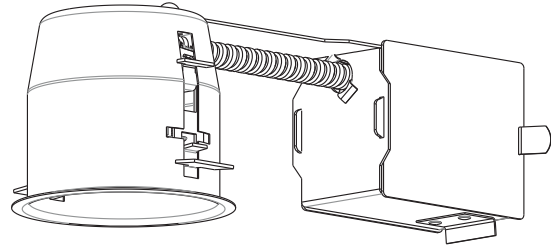


SPECIFICATION SHEET

3 1/2" PAR20 SERIES

CA3600

REMODEL HOUSING



YES

Damp Location



PAR

PAR20 50W MAX



Voltage

120 VOLTS (CAN & USA.)



Thermal Protector

T°C 120°C No 031



OD Cut

3 5/8" (92mm)



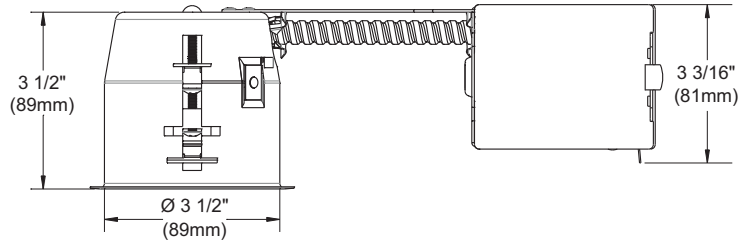
UL LISTED

E174023



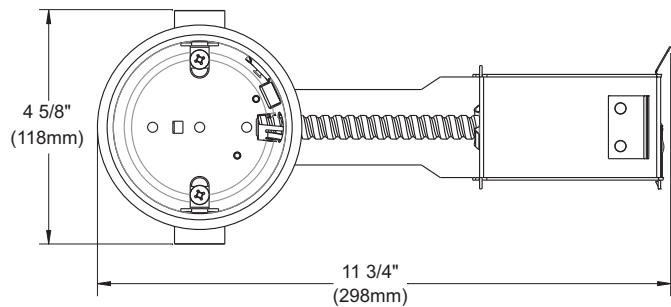
Dimensions

Overall Dimensions :
 Length : 11 7/16" (290mm)
 Width : 4 5/8" (117mm)
 Height : 3 1/2" (89mm)



COMPATIBLE TRIMS 50W PAR20

- A3600
- A3600V
- A3610V
- A3700
- A3700V
- A3710V
- B3600



TECHNICAL SPECIFICATIONS

0,051" (1,3mm) thickness Galvanized Steel.
 Below-ceiling accessible.
 Hooks PAT#CAN 2,088,648 and #USA 5,377,088.
 Takes up to 7/8" thick ceiling.
 Perfect fit into ceiling.
 No light leak.



Your representative : _____

Your project : _____

CONTRAST
L I G H T I N G

1009, rue du Parc Industriel, Saint-Jean-Chrysostome, Qc, CAN, G6Z1C5 Tel.: 1-888-839-4624 Fax : 1-877-839-7057
info@contrastlighting.com
www.contrastlighting.com

DECEMBER 2010