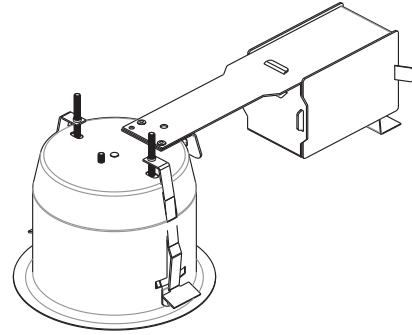








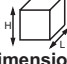
SPECIFICATION SHEET

4 3/8" PAR30 SERIES

CA2675

REMODEL HOUSING WITH DIRECTIONAL SYSTEM FOR PAR30 LAMP



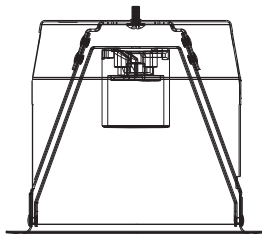
	YES
Damp Location	
	PAR30 75W MAX
PAR	
	120 VOLTS (CAN & USA.)
Voltage	
	T°C 100°C No 027
Thermal Protector	
	4 5/8" (117mm)
OD Cut	
	E174023
UL LISTED	
	Overall Dimensions : Length : 13" (330mm) Width : 5 1/2" (140mm) Height : 6" (152mm)
Dimensions	



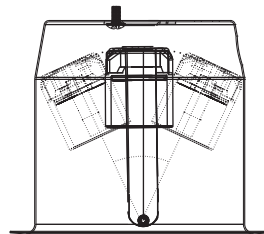
COMPATIBLE TRIMS

75W PAR30

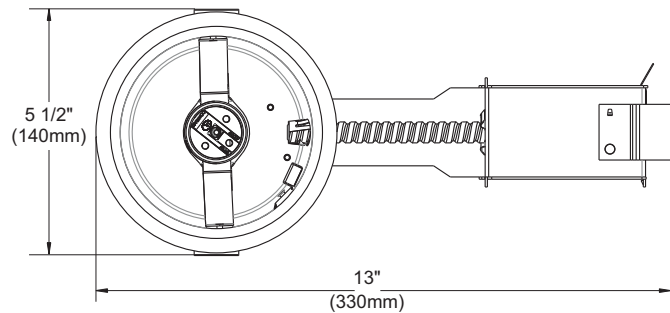
B2675



Directional system
Front view



Directional system
Side view



TECHNICAL SPECIFICATIONS

0,051" (1,3mm) thickness Galvanized Steel.
Below-ceiling accessible.
Hooks PAT#CAN 2,088,648 and #USA 5,377,088.
Takes up to 7/8" thick ceiling.
Perfect fit into ceiling.
No light leak.



Your representative : _____

Your project : _____