
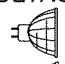
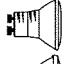








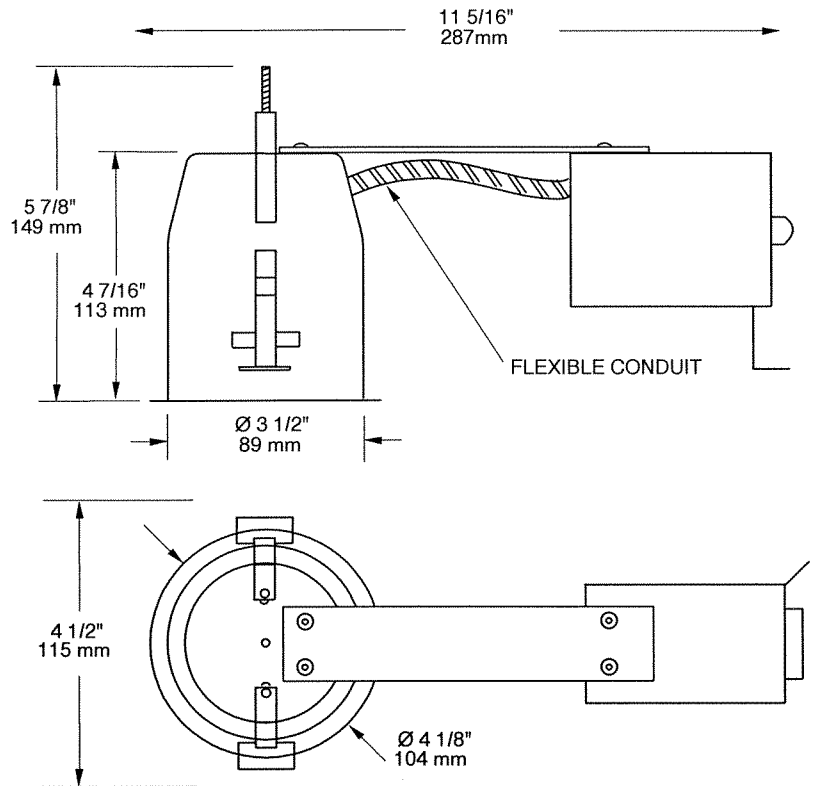
"NON-IC" TYPE HOUSING

CA2550

	_____
VOLTAGE	yes
	120 VOLTS
	_____
	PAR20 50W max.
	_____
	_____
	_____
	T°C 120°C No 031
BX Length	5" (127 mm)
UL number	E 174023
E Electronic M Magnetic C Short L Long	_____

 **OD Cut : 3 5/8" (92 mm)**

NOTES:
For ceiling without insulation
Below ceiling access



PROJECT

Your Project: _____

Representative: _____